



R44 ILLUSTRATED PARTS CATALOG RTR 460 VOLUME II

Production Certificate Number 424WE

Type Certificate Number H11NM



Robinson Helicopter Company
2901 Airport Drive
Torrance, California 90505-6115
United States of America

Phone: (310) 539-0508
Fax: (310) 539-5198
Web: <https://robinsonheli.com>

OFFICE HOURS

Monday through Friday, 6:00 a.m. to 6:00 p.m., Pacific Time.

CUSTOMER SUPPORT AND SPARES ORDERS

Please visit our website <https://robinsonheli.com/support> for the latest customer support contact information. You can also find a map of our global dealers and service centers that will be able to assist at <https://robinsonheli.com/dealers-and-service-centers>.

PUBLICATIONS

Viewing RHC Maintenance Manuals (MMs) and Illustrated Parts Catalogs (IPCs) online at <https://robinsonheli.com/publications> is recommended to ensure use of current data. Viewing MMs and IPCs offline via paper or digital download requires verification that the data is current. Refer to the online MM or IPC Revision Log for the list of current pages.

SUBSCRIPTION ORDER AND RENEWAL FORMS

Subscription order and renewal forms are located at <https://robinsonheli.com>.

WARRANTY INFORMATION

Helicopter and parts warranty information is located at <https://robinsonheli.com>.

TRADEMARK ACKNOWLEDGMENTS

All trademarks and registered trademarks are the property of their respective owners. Reference to any specific commercial products, process, or service by trade name, trademark, or manufacturer does not necessarily constitute or imply its endorsement.

NOTE

Failure to include the ® or ™ symbols or to capitalize specific brand names within the body of this manual does not constitute a waiver of the trademark rights by the respective owners.

- CherryMAX® is a registered trademark of Cherry Aerospace.
- Heli-Coil® is a registered trademark of Böllhoff Group.
- Loctite®, Alodine®, and BONDERITE® are registered trademarks of Henkel AG & Co. KGaA.
- LPS® is a registered trademark of ITW Pro Brands.
- Molykote® is a registered trademark of DuPont Specialty Products USA, LLC.
- Palnut® is a registered trademark of A. Raymond Tinnerman.
- Scotch-Brite™ is a trademark of 3M Company.
- Teflon™ is a trademark of The Chemours Company FC, LLC.
- Ty-Rap® is a registered trademark of ABB Installation Products.

CHAPTER LIST

	Introduction
Chapter 6	Dimensions and Descriptions
Chapter 8	Weight and Balance
Chapter 9	Ground Handling
Chapter 10	Parking and Storage
Chapter 11	Placards and Markings
Chapter 12	Servicing
Chapter 18	Track and Balance
Chapter 21	Environment Control
Chapter 22	Autopilot
Chapter 25	Furnishings
Chapter 28	Fuel System
Chapter 29	Hydraulics
Chapter 32	Landing Gear
Chapter 33	Lights
Chapter 52	Doors and Windows
Chapter 53	Fuselage
Chapter 62	Main Rotor
Chapter 63	Main Rotor Drive System
Chapter 64	Tail Rotor
Chapter 65	Tail Rotor Drive System
Chapter 67	Flight Controls
Chapter 71	Powerplant
Chapter 76	Engine Controls
Chapter 79	Engine Oil System
Chapter 90	Police Version
Chapter 92	E.N.G. Version
Chapter 94	Cadet Version
Chapter 95	Instrument System
Chapter 96	Electrical System
Chapter 97	Avionics
Chapter 99	Special Tools
Chapter 100	Revision Log

Intentionally Blank

TECHNICAL PUBLICATIONS

RECOMMENDED CHANGE REPORT

Please direct recommended changes to RHC Technical Publications via the email address listed below, by phone, or by submitting a duplicate of this completed form by fax or mail. Please include or have available the information detailed in this form.

Recommended changes may include but are not limited to general comments, corrections, omitted information, or clarification of instructions.

Please send recommendations to:

Email: techpubs@robinsonheli.com
Phone: (310) 539-0508
Fax: (310) 539-5198

Robinson Helicopter Company
Attention: Technical Publications
2901 Airport Drive
Torrance, CA 90505-6115
United States of America

Date:	_____	Publication:	_____
Name:	_____	Chapter:	_____
Company:	_____	Section:	_____
Helicopter Model:	_____	Page:	_____
Serial Number:	_____	Revision:	_____
Phone:	_____		
Email:	_____		

COMMENTS:

Intentionally Blank

CATALOG FEATURES

INTRODUCTION

The Illustrated Parts Catalog (IPC) is used in conjunction with the R44 Maintenance Manual (MM) to provide instructions for continued airworthiness. The IPC identifies parts, components, and detail parts that make up, and are required to support the R44 helicopter. RHC uses a modified Air Transport Association (ATA) chapter structure to organize the various systems of the R44 Helicopter.

The catalog features:

1. A chapter list
2. A table of contents located in the front of the catalog
3. A table of contents at the front of each chapter

PART DESIGNATION

Robinson parts are designated with a part number prefix "A", "B", "C", etc., followed by three digits and a dash number, such as A101-1. Robinson special tools are designated with a part number prefix "MT". For standard hardware items such as bolts, nuts, screws, etc., "AN", "MS", and "NAS" part numbers are used. When a rivet length is not specified, length must be determined by the installer. In some instances, vendor part numbers are also used.

PARTS AVAILABILITY

"X" indicates part is available as a separate spares item.

"O" indicates part is no longer available, or only available as part of a higher assembly.

CHANGE BARS

Change bars are located on the outside edge of the page, and indicate new or revised data. Change bars between lines indicate data was removed, and parts renumbered as required. Change bars on figure pages indicate changes to the figure somewhere across the page in the area of the change bar. A change bar encompassing the figure title and item 1 indicates the figure number changed. Change bars that are the full length of the page indicate all new data, usually a new figure and parts data.

ABBREVIATIONS

Assy – assembly	max – maximum	rev. – Revision
A/R – as required	min – minimum	RH – right hand
A.O.G. – Aircraft On Ground	MM – Maintenance Manual	RHC – Robinson Helicopter Company
Cont'd – continued	MR – main rotor	§ – Section
Incl – includes	OH/EXCH – Overhaul/Exchange	TR – Tail Rotor
LH – left hand	Ref – Part(s) "referenced" for clarity	TRDS – Tail Rotor Drive Shaft

ORDERING AND SHIPPING

All orders must include instructions for shipping.

WARRANTY

Helicopter and parts warranty information is located at www.robinsonheli.com.

RETURNS

All parts or components shipped to RHC must include a signed Component Return/Authorization Form. Return shipments must be prepaid.

No unused parts may be returned to RHC for credit if the parts show any indication whatsoever of use or damage. Parts returned within 30 days of purchase will be assessed a restocking fee. No parts may be returned after 30 days without prior RHC approval.

Continues

CATALOG FEATURES (Cont'd)**REVISIONS**

RHC Illustrated Parts Catalogs (IPCs) are available digitally at www.robinsonheli.com, under the Publications tab. Access to these publications does not require an account and is free of charge.

Viewing the IPC online is recommended to ensure use of current data.

Viewing the IPC offline via paper or digital download requires verification that the data is current. Refer to the online IPC Revision Log for the list of current pages.

Alphabetical and numerical indices have been deleted.

Sign up for free email notification of revisions to IPCs by sending an email to subscriptions@robinsonheli.com with "Subscribe email" in the subject line. Within the email, include name, email address, physical address, and helicopter model(s) of interest.

HOW TO USE THE ILLUSTRATED PARTS CATALOG

The IPCs are available digitally at www.robinsonheli.com, under the Publications tab. Files are available in PDF format. A keyword or part number search may help to locate applicable data. Open the chapter or full book PDF and launch a "search" or "find" window (Ctrl+F [PC] or Command+F [Mac]).

A search by system may be performed when the part number is not known. Go to the Chapter List on page iii, and determine the appropriate chapter. In the Chapter Table of Contents, determine from Figure titles where the item may logically appear. On the selected Figure illustration, locate the item and corresponding item number, and verify the item number by reading the description. Be sure to read any notes (indicated by asterisk) to ensure item is current for your aircraft.

PART INTERCHANGEABILITY

The following parts are interchangeable. Unless noted otherwise, whenever one part is referred to in this catalog, its substitute part is also permitted.

<u>PART:</u>	<u>INTERCHANGEABLE WITH:</u>
110-__ Telatemp	F110-__ Telatemp
22K1-048 Cap nut	B340-10 Cap nut
22K1-82 Cap nut	B340-4 Cap nut
354601 Fuse block	D262-1 Fuse block
354602 Fuse block	D262-2 Fuse block
4509 & Q4509 Lamp	B196-26 Lamp
4591 Lamp	B196-27 Lamp
511TS1-3 Switch	B300-4 Switch
94830A030 Nut	21FKF-518 Nut
AN_ and MS_ part	AS_ part or A880 part numbers
AN340 Nut	MS35649 Nut per NASM35649 except AN340B8 Nut
AN340B8 Nut	B301-8 Nut
AN345 Nut	MS35650 Nut per NASM35650
AN364 Nut	MS21083 Nut per NASM21083
AN507 Screw	MS24693 Screw per NASM24693
AN509 Screw	MS24694 Screw per NASM24694
AN515 Screw	MS35206 Screw per NASM35206
AN515C Screw	MS51957 Screw
AN515UB6R6 Screw	B567-25 Screw
AN515UB6R10 Screw	B567-28 Screw
AN515UB8R10 Screw	B567-43 Screw
AN515UB8R12 Screw	B567-44 Screw
AN515UB8R20 Screw	MS35214-47 Screw per NASM35214
AN525 & AN526 Screw	MS27039C Screw per NASM27039, or B526-6 or -8 Screw and B527-08 Washer per R44 MM § 16-61. Except where noted.
AN814 & MS24391 Plug	AS5169 Plug
AN815 & MS24392 Union	AS5174 Union
AN818-__D Nut	AN818-__W Nut
AN819 & MS20819 Sleeve	AS5176 Sleeve
AN822 & MS20822 Elbow	AS5195 Elbow
AN823 & MS20823 Elbow	AS5196 Elbow
AN825 & MS20825 Tee	AS5197 Tee
AN826 & MS20826 Tee	AS5198 Tee
AN894 & MS24398 Bushing	AS5173 Bushing
AN900 Gasket	MS35769 Gasket per AS35769
AN924 & MS24400 Nut	AS5178 Nut
AN931 Grommet	MS35489 Grommet
AN935 Lockwasher	B332-__ Lockwasher, dash number per MS35338
AN936 Lockwasher	MS35335 Lockwasher
AN960-4L Washer	NAS1149FN416P Washer
AN960-4 Washer	NAS1149FN432P Washer
AN960-6L Washer	NAS1149FN616P Washer
AN960-6 Washer	NAS1149FN632P Washer
AN960-8L Washer	NAS1149FN816P Washer
AN960-8 Washer	NAS1149FN832P Washer

Continues

PART INTERCHANGEABILITY (Cont'd)

<u>PART:</u>	<u>INTERCHANGEABLE WITH:</u>
AN960-10L Washer	NAS1149F0332P Washer
AN960-10 Washer	NAS1149F0363P Washer
AN960-416L Washer	NAS1149F0432P Washer
AN960-416 Washer	NAS1149F0463P Washer
AN960-516L Washer	NAS1149F0532P Washer
AN960-516 Washer	NAS1149F0563P Washer
AN960-616L Washer	NAS1149F0632P Washer
AN960-616 Washer	NAS1149F0663P Washer
AN960-816L Washer	NAS1149F0832P Washer
AN960-816 Washer	NAS1149F0863P Washer
AN960-1016L Washer	NAS1149F1032P Washer
AN960-1016 Washer	NAS1149F1063P Washer
AN960PD8L Washer	NAS1149DN816J Washer
AN960PD416L Washer	NAS1149D0416J Washer
AN960PD516L Washer	NAS1149D0516J Washer
AN960PD616L Washer	NAS1149D0616J Washer
AVDEL 016__ Rivet	B204__ Rivet
B0500-022-S Washer	A478-2 Washer
B1000-035-S Washer	A478-3 Washer
B1000-043-S Washer	A478-4 Washer
B270-6 Sealant	A701-11 Tape
CCR244SS-3-02 Rivet	B204-5 Rivet
MS26574-__ Circuit breaker	B297-__ Circuit breaker, except B297-25 and B297-120
MS3320-20 Circuit breaker	B297-120 Circuit breaker
LW-18959-150-25 Clamp	B444-1 Clamp
LW-18959-163-25 Clamp	B444-2 Clamp
LW-18959-175-25 Clamp	B444-3 Clamp
MS20604ML4W1 Rivet	MS20604M4W1 Rivet per NASM20604
MS21042L3 thru L6 Nut	D210-3 thru -6 Nut*
MS21209__ Insert	MS21209__ L or NAS1130__ Insert
MS21919__ Clamp	AS21919__ Clamp
MS24665 CAD plated steel cotter pin	MS24665 CRES cotter pin per NASM24665
MS27039C080__ Screw	B526-6 or -8 Screw and B527-08 Washer per R44 MM § 16-61. Except where noted.
MS27151-__ Stamped Nut	B330-__ Stamped Nut
NAS1067 Nutplate	MS21086 Nutplate per NASM21086
NAS1068A__ Nutplate	MS21075L__ E Nutplate per NASM21075
NAS1291-04 thru -08 Nut	MS21042 Nut per NASM21042
NAS1291-3 thru -10 Nut	D210-3 thru -10 Nut*
NAS1303 thru NAS1320 Bolt, except 1307 Bolt	NAS6603 thru NAS6620** Bolt, except 6607 Bolt
NAS1919B0__ SO__ Rivet	NAS9301B-__ -0__ Rivet
NAS1921B0__ SO__ Rivet	NAS9302B-__ -0__ Rivet
NAS428-__ -__ Bolt	NAS428-__ A__ Bolt
NAS487 Instrument nut	MS33737 Instrument nut per NASM33737
NAS6605-31 Bolt	B660-2 Bolt
NAS679A__ Nut	NAS1291-__ Nut
NAS679C__ M Nut	NAS1291C__ M Nut

* One-way interchangeability, only D210 nut shall be used for listed sizes.

** The following bolts must be NAS1300 series only: NAS1304-17 and NAS1305-35.

Continues

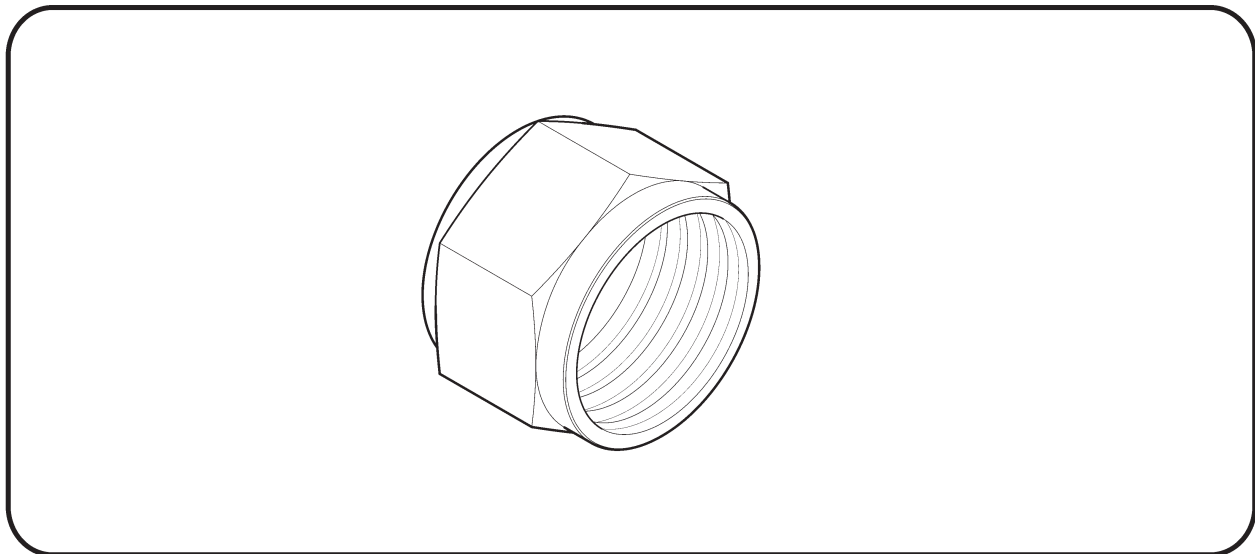
PART INTERCHANGEABILITY (Cont'd)

<u>PART:</u>	<u>INTERCHANGEABLE WITH:</u>
NAS696 Nutplate	MS21071 Nutplate per NASM21071
NAS697 Nutplate	MS21069 & MS21070 Nutplate per NASM21069 & NASM21070
NAS698 Nutplate	MS21073 Nutplate per NASM21073

A880 FLARED TUBE COMPONENTS

A. Nuts – Flare

Dash Numbers	Allowable Part Numbers	Material REF	Tube OD REF
-102	AN818-2D, AN818-2W, AS5175W02	AL	1/8-inch
-103	AN818-3D, AN818-3W, AS5175W03	AL	3/16-inch
-104	AN818-4D, AN818-4W, AS5175W04	AL	1/4-inch
-105	AN818-5D, AN818-5W, AS5175W05	AL	5/16-inch
-106	AN818-6D, AN818-6W, AS5175W06	AL	3/8-inch
-108	AN818-8D, AN818-8W, AS5175W08	AL	1/2-inch
-110	AN818-10D, AN818-10W, AS5175W10	AL	5/8-inch
-202	AN818-2J, AS5175J02	CRES	1/8-inch
-203	AN818-3J, AS5175J03	CRES	3/16-inch
-204	AN818-4J, AS5175J04	CRES	1/4-inch
-205	AN818-5J, AS5175J05	CRES	5/16-inch
-206	AN818-6J, AS5175J06	CRES	3/8-inch
-208	AN818-8J, AS5175J08	CRES	1/2-inch
-210	AN818-10J, AS5175J10	CRES	5/8-inch

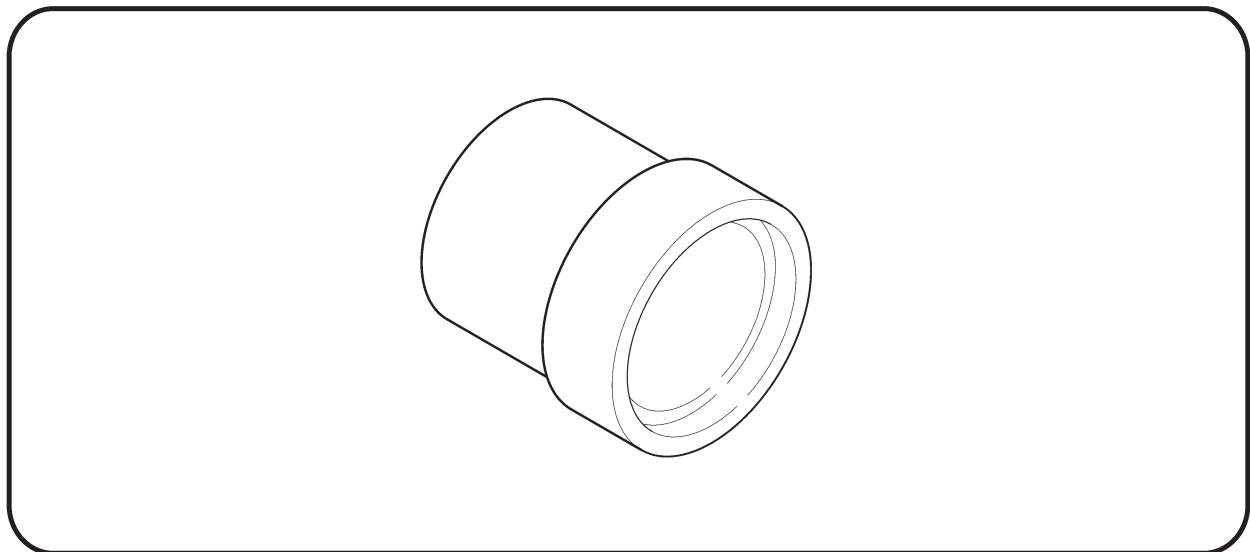


Continues

A880 FLARED TUBE COMPONENTS (Cont'd)

B. Sleeves

Dash Numbers	Allowable Part Numbers	Material REF	Tube OD REF
-302	MS20819-2D, AS3220D02, AS3220W02	AL	1/8-inch
-303	MS20819-3D, AS3220D03, AS3220W03	AL	3/16-inch
-304	MS20819-4D, AS3220D04, AS3220W04	AL	1/4-inch
-305	MS20819-5D, AS3220D05, AS3220W05	AL	5/16-inch
-306	MS20819-6D, AS3220D06, AS3220W06	AL	3/8-inch
-308	MS20819-8D, AS3220D08, AS3220W08	AL	1/2-inch
-310	MS20819-10D, AS3220D10, AS3220W10	AL	5/8-inch
-402	MS20819-2J, AS5176J02	CRES	1/8-inch
-403	MS20819-3J, AS5176J03	CRES	3/16-inch
-404	MS20819-4J, AS5176J04	CRES	1/4-inch
-405	MS20819-5J, AS5176J05	CRES	5/16-inch
-406	MS20819-6J, AS5176J06	CRES	3/8-inch
-408	MS20819-8J, AS5176J08	CRES	1/2-inch
-410	MS20819-10J, AS5176J10	CRES	5/8-inch

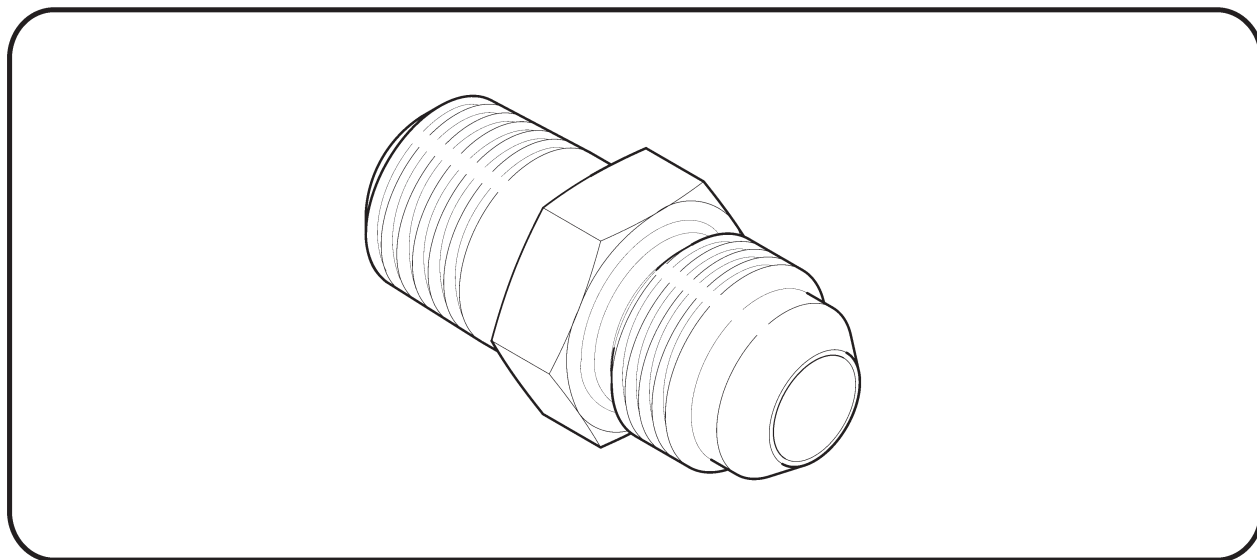


Continues

A880 FLARED TUBE COMPONENTS (Cont'd)

C. Adapters – NPT to Flare

Dash Numbers	Allowable Part Numbers	Material REF	Tube OD REF
-502	AN816-2D, AS5194D0202	AL	1/8-inch
-503	AN816-3D, AS5194D0302	AL	3/16-inch
-504	AN816-4D, AS5194D0402	AL	1/4-inch
-505	AN816-5D, AS5194D0502	AL	5/16-inch
-506	AN816-6D, AS5194D0604	AL	3/8-inch
-508	AN816-8D, AS5194D0806	AL	1/2-inch
-510	AN816-10D, AS5194D1008	AL	5/8-inch
-532	AN816-2J, AS5194J0202	CRES	1/8-inch
-533	AN816-3J, AS5194J0302	CRES	3/16-inch
-534	AN816-4J, AS5194J0402	CRES	1/4-inch
-535	AN816-5J, AS5194J0502	CRES	5/16-inch
-536	AN816-6J, AS5194J0604	CRES	3/8-inch
-538	AN816-8J, AS5194J0806	CRES	1/2-inch
-540	AN816-10J, AS5194J1008	CRES	5/8-inch
-562	AN816-2, AS5194-0202	STL	1/8-inch
-563	AN816-3, AS5194-0302	STL	3/16-inch
-564	AN816-4, AS5194-0402	STL	1/4-inch
-565	AN816-5, AS5194-0502	STL	5/16-inch
-566	AN816-6, AS5194-0604	STL	3/8-inch
-568	AN816-8, AS5194-0806	STL	1/2-inch
-570	AN816-10, AS5194-1008	STL	5/8-inch

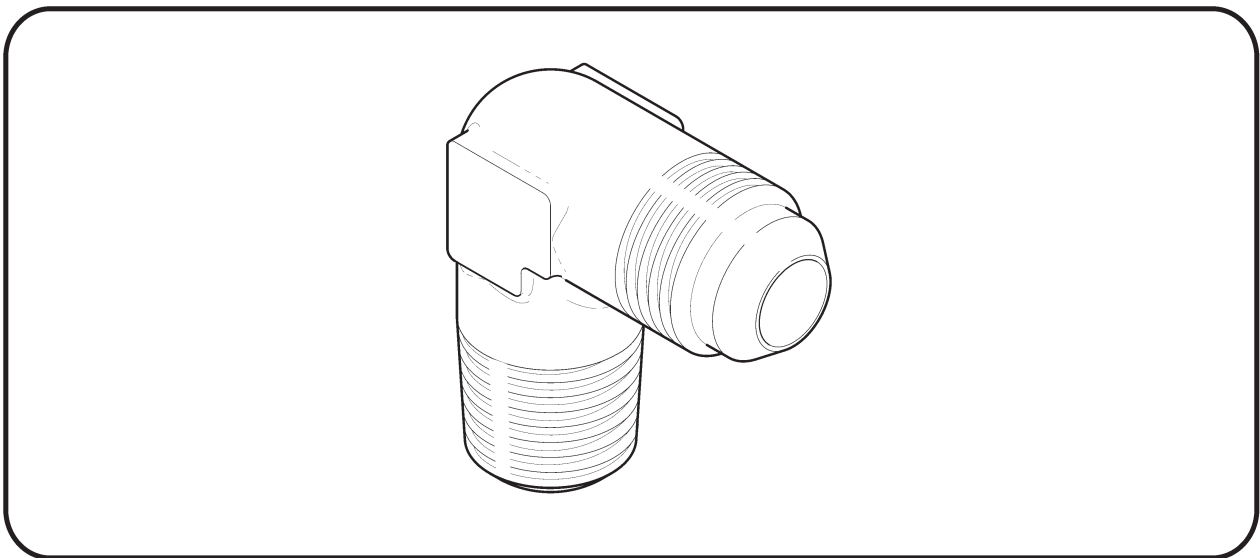


Continues

A880 FLARED TUBE COMPONENTS (Cont'd)

D. Elbows – 90°, NPT to Flare

Dash Numbers	Allowable Part Numbers	Material REF	Tube OD REF
-602	AN822-2D, MS20822-2D, AS5195W0202	AL	1/8-inch
-603	AN822-3D, MS20822-3D, AS5195W0302	AL	3/16-inch
-604	AN822-4D, MS20822-4D, AS5195W0402	AL	1/4-inch
-605	AN822-5D, MS20822-5D, AS5195W0502	AL	5/16-inch
-606	AN822-6D, MS20822-6D, AS5195W0604	AL	3/8-inch
-608	AN822-8D, MS20822-8D, AS5195W0806	AL	1/2-inch
-610	AN822-10D, MS20822-10D, AS5195W1008	AL	5/8-inch
-632	AN822-2J, MS20822-2J, AS5195J0202	CRES	1/8-inch
-633	AN822-3J, MS20822-3J, AS5195J0302	CRES	3/16-inch
-634	AN822-4J, MS20822-4J, AS5195J0402	CRES	1/4-inch
-635	AN822-5J, MS20822-5J, AS5195J0502	CRES	5/16-inch
-636	AN822-6J, MS20822-6J, AS5195J0604	CRES	3/8-inch
-638	AN822-8J, MS20822-8J, AS5195J0806	CRES	1/2-inch
-640	AN822-10J, MS20822-10J, AS5195J1008	CRES	5/8-inch
-662	AN822-2, MS20822-2, AS5195-0202	STL	1/8-inch
-663	AN822-3, MS20822-3, AS5195-0302	STL	3/16-inch
-664	AN822-4, MS20822-4, AS5195-0402	STL	1/4-inch
-665	AN822-5, MS20822-5, AS5195-0502	STL	5/16-inch
-666	AN822-6, MS20822-6, AS5195-0604	STL	3/8-inch
-668	AN822-8, MS20822-8, AS5195-0806	STL	1/2-inch
-670	AN822-10, MS20822-10, AS5195-1008	STL	5/8-inch

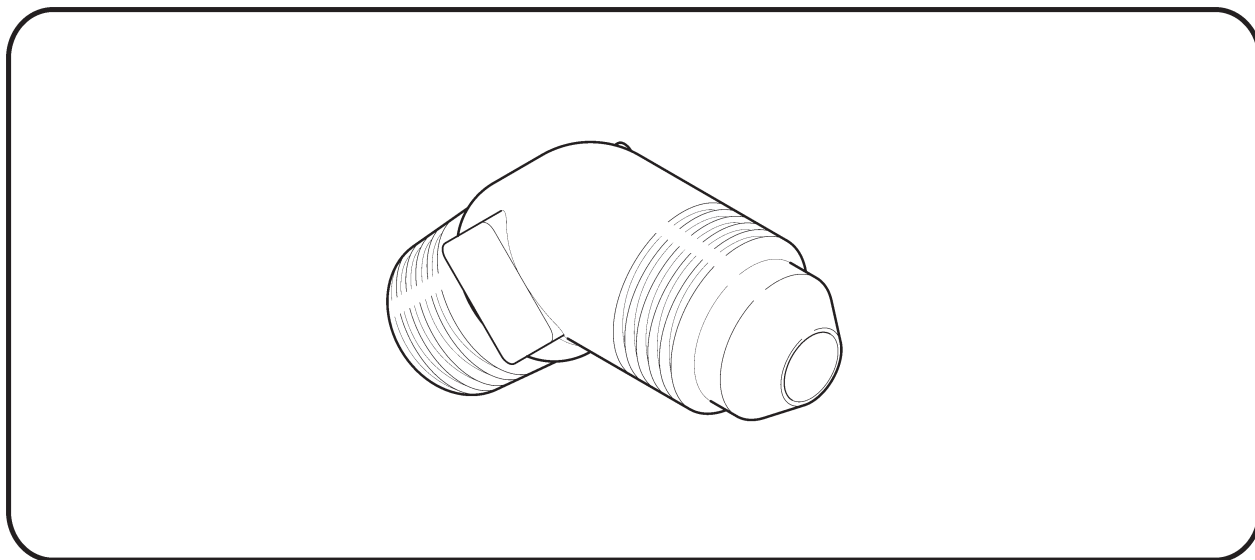


Continues

A880 FLARED TUBE COMPONENTS (Cont'd)

E. Elbows – 45°, NPT to Flare

Dash Numbers	Allowable Part Numbers	Material REF	Tube OD REF
-702	AN823-2D, MS20823-2D, AS5196W0202	AL	1/8-inch
-703	AN823-3D, MS20823-3D, AS5196W0302	AL	3/16-inch
-704	AN823-4D, MS20823-4D, AS5196W0402	AL	1/4-inch
-705	AN823-5D, MS20823-5D, AS5196W0502	AL	5/16-inch
-706	AN823-6D, MS20823-6D, AS5196W0604	AL	3/8-inch
-708	AN823-8D, MS20823-8D, AS5196W0806	AL	1/2-inch
-710	AN823-10D, MS20823-10D, AS5196W1008	AL	5/8-inch
-732	AN823-2J, MS20823-2J, AS5196J0202	CRES	1/8-inch
-733	AN823-3J, MS20823-3J, AS5196J0302	CRES	3/16-inch
-734	AN823-4J, MS20823-4J, AS5196J0402	CRES	1/4-inch
-735	AN823-5J, MS20823-5J, AS5196J0502	CRES	5/16-inch
-736	AN823-6J, MS20823-6J, AS5196J0604	CRES	3/8-inch
-738	AN823-8J, MS20823-8J, AS5196J0806	CRES	1/2-inch
-740	AN823-10J, MS20823-10J, AS5196J1008	CRES	5/8-inch
-762	AN823-2, MS20823-2, AS5196-0202	STL	1/8-inch
-763	AN823-3, MS20823-3, AS5196-0302	STL	3/16-inch
-764	AN823-4, MS20823-4, AS5196-0402	STL	1/4-inch
-765	AN823-5, MS20823-5, AS5196-0502	STL	5/16-inch
-766	AN823-6, MS20823-6, AS5196-0604	STL	3/8-inch
-768	AN823-8, MS20823-8, AS5196-0806	STL	1/2-inch
-770	AN823-10, MS20823-10, AS5196-1008	STL	5/8-inch

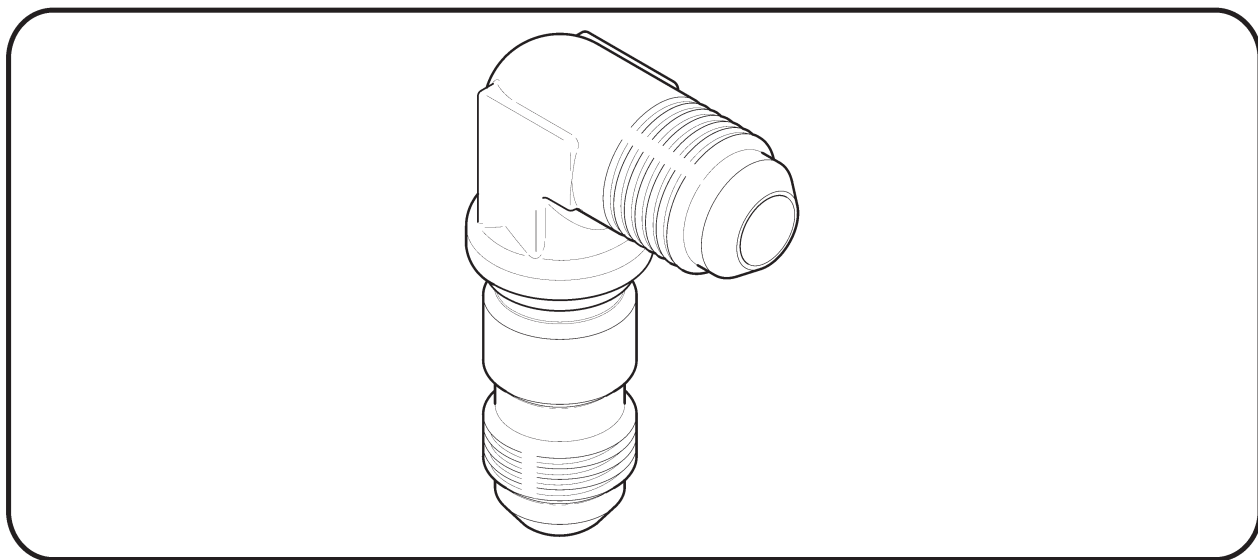


Continues

A880 FLARED TUBE COMPONENTS (Cont'd)

F. Elbows – 90°, Bulkhead Flare to Flare

Dash Numbers	Allowable Part Numbers	Material REF	Tube OD REF
-802	AN833-2D, AS1038D0202, AS1038W0202	AL	1/8-inch
-803	AN833-3D, AS1038D0303, AS1038W0303	AL	3/16-inch
-804	AN833-4D, AS1038D0404, AS1038W0404	AL	1/4-inch
-805	AN833-5D, AS1038D0505, AS1038W0505	AL	5/16-inch
-806	AN833-6D, AS1038D0606, AS1038W0606	AL	3/8-inch
-808	AN833-8D, AS1038D0808, AS1038W0808	AL	1/2-inch
-810	AN833-10D, AS1038D1010, AS1038W1010	AL	5/8-inch
-832	AN833-2J, AS1038J0202	CRES	1/8-inch
-833	AN833-3J, AS1038J0303	CRES	3/16-inch
-834	AN833-4J, AS1038J0404	CRES	1/4-inch
-835	AN833-5J, AS1038J0505	CRES	5/16-inch
-836	AN833-6J, AS1038J0606	CRES	3/8-inch
-838	AN833-8J, AS1038J0808	CRES	1/2-inch
-840	AN833-10J, AS1038J1010	CRES	5/8-inch
-862	AN833-2, AS1038-0202	STL	1/8-inch
-863	AN833-3, AS1038-0303	STL	3/16-inch
-864	AN833-4, AS1038-0404	STL	1/4-inch
-865	AN833-5, AS1038-0505	STL	5/16-inch
-866	AN833-6, AS1038-0606	STL	3/8-inch
-868	AN833-8, AS1038-0808	STL	1/2-inch
-870	AN833-10, AS1038-1010	STL	5/8-inch

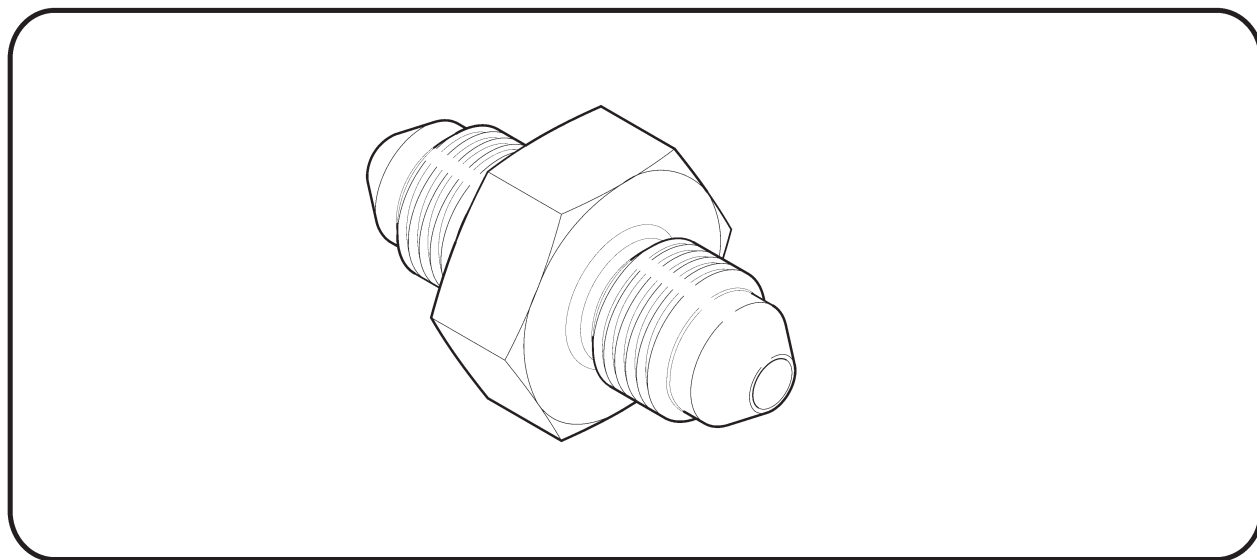


Continues

A880 FLARED TUBE COMPONENTS (Cont'd)

G. Unions – Flare to Flare

Dash Numbers	Allowable Part Numbers	Material REF	Tube OD REF
-902	AN815-2D, AS5174D0202, AS5174W0202	AL	1/8-inch
-903	AN815-3D, AS5174D0303, AS5174W0303	AL	3/16-inch
-904	AN815-4D, AS5174D0404, AS5174W0404	AL	1/4-inch
-905	AN815-5D, AS5174D0505, AS5174W0505	AL	5/16-inch
-906	AN815-6D, AS5174D0606, AS5174W0606	AL	3/8-inch
-908	AN815-8D, AS5174D0808, AS5174W0808	AL	1/2-inch
-910	AN815-10D, AS5174D1010, AS5174W1010	AL	5/8-inch
-932	AN815-2J, AS5174J0202	CRES	1/8-inch
-933	AN815-3J, AS5174J0303	CRES	3/16-inch
-934	AN815-4J, AS5174J0404	CRES	1/4-inch
-935	AN815-5J, AS5174J0505	CRES	5/16-inch
-936	AN815-6J, AS5174J0606	CRES	3/8-inch
-938	AN815-8J, AS5174J0808	CRES	1/2-inch
-940	AN815-10J, AS5174J1010	CRES	5/8-inch
-962	AN815-2, AS5174-0202	STL	1/8-inch
-963	AN815-3, AS5174-0303	STL	3/16-inch
-964	AN815-4, AS5174-0404	STL	1/4-inch
-965	AN815-5, AS5174-0505	STL	5/16-inch
-966	AN815-6, AS5174-0606	STL	3/8-inch
-968	AN815-8, AS5174-0808	STL	1/2-inch
-970	AN815-10, AS5174-1010	STL	5/8-inch

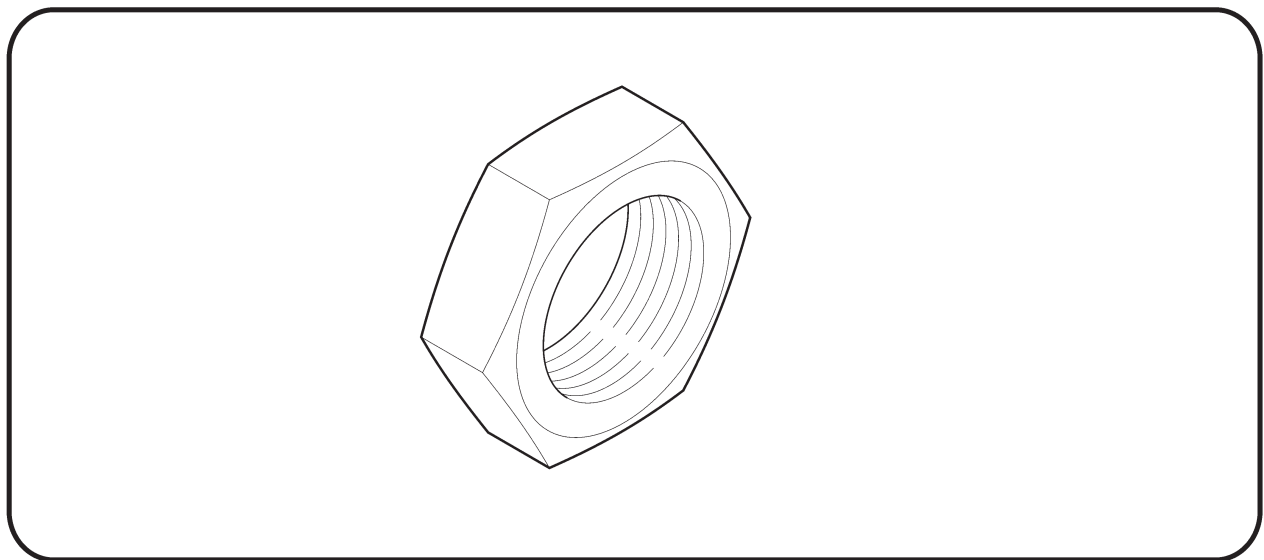


Continues

A880 FLARED TUBE COMPONENTS (Cont'd)

H. Nuts – Hex

Dash Numbers	Allowable Part Numbers	Material REF	Tube OD REF
-1002	AN924-2D, AN924-2W, AS5178W02	AL	1/8-inch
-1003	AN924-3D, AN924-3W, AS5178W03	AL	3/16-inch
-1004	AN924-4D, AN924-4W, AS5178W04	AL	1/4-inch
-1005	AN924-5D, AN924-5W, AS5178W05	AL	5/16-inch
-1006	AN924-6D, AN924-6W, AS5178W06	AL	3/8-inch
-1008	AN924-8D, AN924-8W, AS5178W08	AL	1/2-inch
-1010	AN924-10D, AN924-10W, AS5178W10	AL	5/8-inch
-1032	AN924-2J, AS5178J02	CRES	1/8-inch
-1033	AN924-3J, AS5178J03	CRES	3/16-inch
-1034	AN924-4J, AS5178J04	CRES	1/4-inch
-1035	AN924-5J, AS5178J05	CRES	5/16-inch
-1036	AN924-6J, AS5178J06	CRES	3/8-inch
-1038	AN924-8J, AS5178J08	CRES	1/2-inch
-1040	AN924-10J, AS5178J10	CRES	5/8-inch
-1062	AN924-2, AS5178-02	STL	1/8-inch
-1063	AN924-3, AS5178-03	STL	3/16-inch
-1064	AN924-4, AS5178-04	STL	1/4-inch
-1065	AN924-5, AS5178-05	STL	5/16-inch
-1066	AN924-6, AS5178-06	STL	3/8-inch
-1068	AN924-8, AS5178-08	STL	1/2-inch
-1070	AN924-10, AS5178-10	STL	5/8-inch

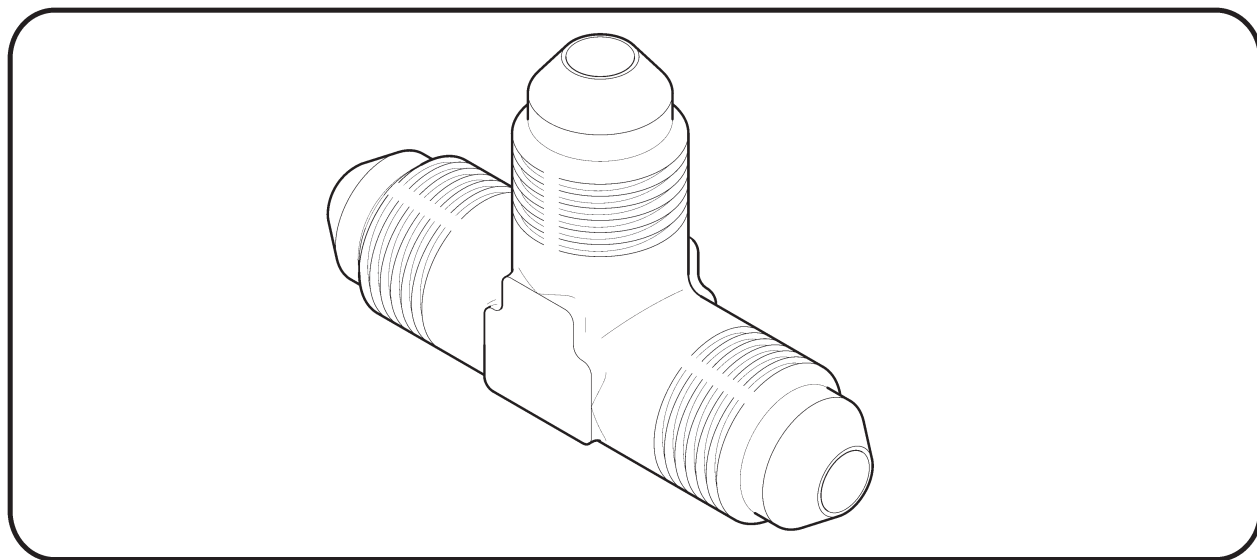


Continues

A880 FLARED TUBE COMPONENTS (Cont'd)

I. Tees – NPT to Flare

Dash Numbers	Allowable Part Numbers	Material REF	Tube OD REF
-1102	AN826-2D, MS20826-2D, AS5198W020202	AL	1/8-inch
-1103	AN826-3D, MS20826-3D, AS5198W030203	AL	3/16-inch
-1104	AN826-4D, MS20826-4D, AS5198W040204	AL	1/4-inch
-1105	AN826-5D, MS20826-5D, AS5198W050205	AL	5/16-inch
-1106	AN826-6D, MS20826-6D, AS5198W060406	AL	3/8-inch
-1108	AN826-8D, MS20826-8D, AS5198W080608	AL	1/2-inch
-1110	AN826-10D, MS20826-10D, AS5198W100810	AL	5/8-inch
-1132	AN826-2J, MS20826-2J, AS5198J020202	CRES	1/8-inch
-1133	AN826-3J, MS20826-3J, AS5198J030203	CRES	3/16-inch
-1134	AN826-4J, MS20826-4J, AS5198J040204	CRES	1/4-inch
-1135	AN826-5J, MS20826-5J, AS5198J050205	CRES	5/16-inch
-1136	AN826-6J, MS20826-6J, AS5198J060406	CRES	3/8-inch
-1138	AN826-8J, MS20826-8J, AS5198J080608	CRES	1/2-inch
-1140	AN826-10J, MS20826-10J, AS5198J100810	CRES	5/8-inch
-1162	AN826-2, MS20826-2, AS5198-020202	STL	1/8-inch
-1163	AN826-3, MS20826-3, AS5198-030203	STL	3/16-inch
-1164	AN826-4, MS20826-4, AS5198-040204	STL	1/4-inch
-1165	AN826-5, MS20826-5, AS5198-050205	STL	5/16-inch
-1166	AN826-6, MS20826-6, AS5198-060406	STL	3/8-inch
-1168	AN826-8, MS20826-8, AS5198-080608	STL	1/2-inch
-1170	AN826-10, MS20826-10, AS5198-100810	STL	5/8-inch

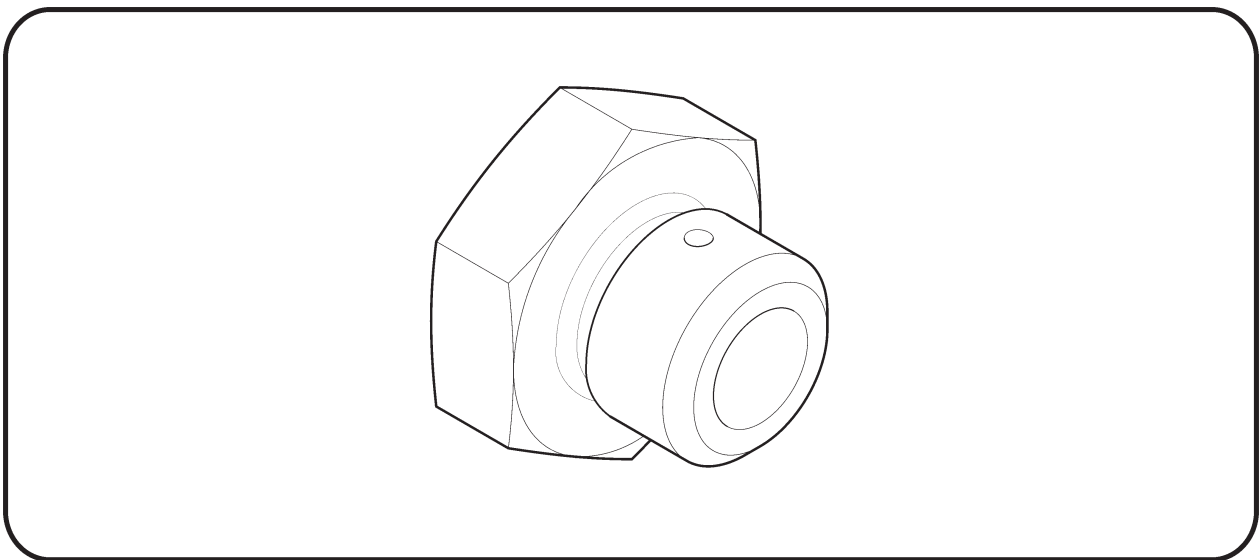


Continues

A880 FLARED TUBE COMPONENTS (Cont'd)

J. Plugs without Holes

Dash Numbers	Allowable Part Numbers	Material REF	Tube OD REF
-1202	AN814-2D, AN814-2W, AS5169D02, AS5169W02	AL	1/8-inch
-1203	AN814-3D, AN814-3W, AS5169D03, AS5169W03	AL	3/16-inch
-1204	AN814-4D, AN814-4W, AS5169D04, AS5169W04	AL	1/4-inch
-1205	AN814-5D, AN814-5W, AS5169D05, AS5169W05	AL	5/16-inch
-1206	AN814-6D, AN814-6W, AS5169D06, AS5169W06	AL	3/8-inch
-1208	AN814-8D, AN814-8W, AS5169D08, AS5169W08	AL	1/2-inch
-1210	AN814-10D, AN814-10W, AS5169D10, AS5169W10	AL	5/8-inch
-1232	AN814-2J, AS5169J02	CRES	1/8-inch
-1233	AN814-3J, AS5169J03	CRES	3/16-inch
-1234	AN814-4J, AS5169J04	CRES	1/4-inch
-1235	AN814-5J, AS5169J05	CRES	5/16-inch
-1236	AN814-6J, AS5169J06	CRES	3/8-inch
-1238	AN814-8J, AS5169J08	CRES	1/2-inch
-1240	AN814-10J, AS5169J10	CRES	5/8-inch
-1262	AN814-2, AS5169-02	STL	1/8-inch
-1263	AN814-3, AS5169-03	STL	3/16-inch
-1264	AN814-4, AS5169-04	STL	1/4-inch
-1265	AN814-5, AS5169-05	STL	5/16-inch
-1266	AN814-6, AS5169-06	STL	3/8-inch
-1268	AN814-8, AS5169-08	STL	1/2-inch
-1270	AN814-10, AS5169-10	STL	5/8-inch



Continues

A880 FLARED TUBE COMPONENTS (Cont'd)

K. Plugs with Holes

Dash Numbers	Allowable Part Numbers	Material REF	Tube OD REF
-1302	AN814-2DL, AN814-2WL, AS5169D02L, AS5169W02L	AL	1/8-inch
-1303	AN814-3DL, AN814-3WL, AS5169D03L, AS5169W03L	AL	3/16-inch
-1304	AN814-4DL, AN814-4 WL, AS5169D04L, AS5169W04L	AL	1/4-inch
-1305	AN814-5DL, AN814-5WL, AS5169D05L, AS5169W05L	AL	5/16-inch
-1306	AN814-6DL, AN814-6WL, AS5169D06L, AS5169W06L	AL	3/8-inch
-1308	AN814-8DL, AN814-8WL, AS5169D08L, AS5169W08L	AL	1/2-inch
-1310	AN814-10DL, AN814-10WL, AS5169D10L, AS5169W10L	AL	5/8-inch
-1332	AN814-2JL, AS5169J02L	CRES	1/8-inch
-1333	AN814-3JL, AS5169J03L	CRES	3/16-inch
-1334	AN814-4JL, AS5169J04L	CRES	1/4-inch
-1335	AN814-5JL, AS5169J05L	CRES	5/16-inch
-1336	AN814-6JL, AS5169J06L	CRES	3/8-inch
-1338	AN814-8JL, AS5169J08L	CRES	1/2-inch
-1340	AN814-10JL, AS5169J10L	CRES	5/8-inch
-1362	AN814-2L, AS5169-02L	STL	1/8-inch
-1363	AN814-3L, AS5169-03L	STL	3/16-inch
-1364	AN814-4L, AS5169-04L	STL	1/4-inch
-1365	AN814-5L, AS5169-05L	STL	5/16-inch
-1366	AN814-6L, AS5169-06L	STL	3/8-inch
-1368	AN814-8L, AS5169-08L	STL	1/2-inch
-1370	AN814-10L, AS5169-10L	STL	5/8-inch

