

CHAPTER 32

LANDING GEAR

| <i>Figure</i> | <i>Title</i> | <i>Page</i> |
|---------------|---|-------------|
| 32-1 | Landing Gear Assembly | 32.0 |
| 32-5 | Landing Gear Assembly | 32.4 |
| 32-9 | Strut Fairing Installation | 32.8 |
| 32-11 | Strut Fairing Installation | 32.10 |
| 32-11B | Landing Gear Lug – Extension Installation | 32.11 |
| 32-13 | Pop-Out Floats – Cylinder Assembly Installation | 32.12 |
| 32-15 | Pop-Out Floats – Cylinder Assembly Installation | 32.14 |
| 32-17 | Pop-Out Floats – Lever Assembly | 32.16 |
| 32-19 | Pop-Out Floats – Tube Assemblies Installation | 32.18 |
| 32-23 | Pop-Out Floats – Tube Assembly Components | 32.22 |
| 32-25 | Pop-Out Floats – Tube Assembly Components | 32.24 |
| 32-27 | Pop-Out Floats – Hoses Installation | 32.26 |
| 32-29 | Fixed Floats – Tube Assemblies Installation | 32.28 |
| 32-33 | Fixed Floats – Components | 32.32 |
| 32-37 | Skid Step Installation (Small) | 32.36 |
| 32-39 | Skid Step Installation (Long) | 32.37 |

| FIGURE AND INDEX NUMBER | PART NUMBER | DESCRIPTION | PARTS AVAIL | QTY PER ASSY |
|------------------------------|---------------|---|-------------|--------------|
| LANDING GEAR ASSEMBLY | | | | |
| 32-1-1 | C014-27 | Landing Gear Assembly – Standard (Incl items 3, 16, 18, 20, 28, 30, 31, and 37 thru 51) | X | 1 |
| | C014-30* | Landing Gear Assembly – Extended (Incl items 3, 16, 19, 20, 29, 30, 31, and 37 thru 51) | X | 1 |
| 2 | C247-3 | Cap (clear; bond in place using item 3, window up, painted side against crosstube) | X | 2 |
| 3 | B270-1 | Sealant (2-oz tube) | X | A/R |
| 4 | C046-2 | Lower Frame Assembly – RH (Ref) | | |
| 5 | S14119 | Screw (plastic) | X | 2 |
| 6 | D310-6 | Bracket – RH | X | 1 |
| | D310-5 | Bracket – LH | X | 1 |
| 7 | A31007 | Nut (plastic) | X | 2 |
| 8 | A141-11 | Washer | X | 8 |
| 9 | NAS6604-17 | Bolt | X | 4 |
| 10 | D210-4 | Nut | X | 4 |
| 11 | C574-1 | Support Assembly | X | 2 |
| 12 | C141-4 | Washer | X | 2 |
| 13 | NAS6607P20 | Bolt | X | 4 |
| 14 | D210-7 | Nut | X | 2 |
| 15 | NAS1149F0732P | Washer | X | 2 |
| 16 | F247-1 | Spacer | X | 2 |
| 17 | 2633 | Hole Plug | X | 4 |
| 18 | C239-12 | Strut Assembly – Aft (standard gear) | X | 2 |
| 19 | C239-16* | Strut Assembly – Aft (extended gear) | X | 2 |
| 20 | C241-3 | Cross Tube (aft) | X | 1 |
| 21 | C046-23 | Lower Frame Assembly – LH (Ref) | | |
| 22 | F411-9 | Cap (clear; bond in place using item 3, window up, painted side against cross tube) | X | 2 |
| 23 | C276-1 | Shackle Assembly | X | 1 |
| 24 | LJS-1016 | Bearing | X | 2 |
| 25 | C105-1 | Journal | X | 1 |
| 26 | A214-10 | Washer | X | 2 |
| 27 | C141-5 | Washer | X | 2 |
| 28 | C239-13 | Strut Assembly – Forward (standard gear) | X | 2 |
| 29 | C239-17* | Strut Assembly – Forward (extended gear) | X | 2 |
| 30 | F247-2 | Spacer | X | 2 |

NOTES * Optional; not shown.

Continues

| FIGURE AND INDEX NUMBER | PART NUMBER | DESCRIPTION | PARTS AVAIL | QTY PER ASSY |
|---------------------------------------|----------------|---|-------------|--------------|
| LANDING GEAR ASSEMBLY (Cont'd) | | | | |
| 32-1-31 | C241-4 | Cross Tube (forward) | X | 1 |
| 32 | NAS6607-52 | Bolt | X | 1 |
| 33 | 2740 | Hole Plug (DP-1250) | X | 1 |
| 34 | C141-6 | Washer | X | 1 |
| 35 | A751-4 | Strip (forward, 18-inch length) | X | 2 |
| 36 | A751-5 | Strip (aft, 38-inch length) | X | 2 |
| 37 | C247-1 | Cap (install using item 3) | X | 2 |
| 38 | NAS1330H3K116L | Rivnut | X | 24 |
| 39 | A667-8 | Shoe (curved) | X | 2 |
| 40 | A142-1 | Screw | X | 40 |
| 41 | A667-7 | Shoe (straight) | X | 8 |
| 42 | A142-3 | Screw | X | 8 |
| 43 | NAS6606-4 | Bolt | X | 16 |
| 44 | NAS1149F0663P | Washer | X | 16 |
| 45 | C246-5 | Liner Assembly – LH | X | 1 |
| | C242-6 | Liner Assembly – RH (not shown) | X | 1 |
| 46 | C242-5 | Skid tube – LH | X | 1 |
| | C242-6 | Skid tube – RH (not shown) | X | 1 |
| 47 | NAS6604-46 | Bolt | X | 4 |
| 48 | NAS1149F0432P | Washer | X | 4 |
| 49 | C719-1 | Support Assembly (ground wheels) | X | 2 |
| 50 | B340-10 | Nut | X | 4 |
| 51 | C937-1 | Skid Extension – LH | X | 1 |
| | C937-2 | Skid Extension – RH (not shown) | X | 1 |
| 52 | C014-11 | Skid Tube Assembly – LH (Incl items 3, 37 thru 42, 45 and 46. Does not include item 51.) | X | 1 |
| | C014-12 | Skid Tube Assembly – RH (Incl items 3, 37 thru 42, 45 and 46. Does not include item 51; not shown.) | X | 1 |

NOTES

Intentionally Blank

| FIGURE AND INDEX NUMBER | PART NUMBER | DESCRIPTION | PARTS AVAIL | QTY PER ASSY |
|-------------------------|----------------|---|-------------|--------------|
| | | LANDING GEAR ASSEMBLY* | | |
| 32-5-1 | C014-8 | Landing Gear Assembly – Standard (Includes items 2 thru 15, 17, 21, 24 thru 28, 41, and 48 thru 52. Superseded by C014-27; see Figure 32-1.) | O | 1 |
| | C014-22** | Landing Gear Assembly – Extended (Includes items 2 thru 17, 24 thru 28, 41, and 47 thru 52. Superseded by C014-30; see Figure 32-1.) | O | 1 |
| 2 | B340-10 | Nut | X | 4 |
| 3 | B270-1 | Sealant (2-oz tube) | X | A/R |
| 4 | C239-2 | Strut Assembly – Forward (Standard gear; no longer available. To replace order [2] C239-13 strut assemblies, and [1] C241-4 cross tube and associated hardware. See Figure 32-1.) | O | 2 |
| 5 | C239-1 | Strut Assembly – Aft (Standard gear; no longer available. To replace order [2] C239-12 strut assemblies, and [1] C241-3 cross tube and associated hardware. See Figure 32-1.) | O | 2 |
| 6 | C247-1 | Rain Cap (install using item 3) | X | 2 |
| 7 | A667-8 | Shoe (curved) | X | 2 |
| 8 | A667-7 | Shoe (straight) | X | 8 |
| 9 | A142-1 | Screw | X | 40 |
| 10 | NAS1330H3K116L | Rivnut | X | 24 |
| 11 | C246-5 | Liner Assembly (LH; includes nutplates) | X | 1 |
| | C246-6 | Liner Assembly (RH; includes nutplates) | X | 1 |
| 12 | NAS1149F0663P | Washer | X | 16 |
| 13 | NAS6606-4 | Bolt | X | 16 |
| 14 | C014-11 | Skid Tube Assembly (LH; includes C242-5 and items 3, 6 thru 11, and 48) | O | 1 |
| | C242-5 | Skid Tube | O | 1 |
| 15 | C014-12 | Skid Tube Assembly (RH; includes C242-6 and items 3, 6 thru 11, and 48) | O | 1 |
| | C242-6 | Skid Tube | O | 1 |
| 16 | C239-11** | Strut Assembly – Forward (Extended gear; no longer available. To replace order [2] C239-17 strut assemblies, and [1] C241-4 cross tube and associated hardware. See Figure 32-1.) | O | 2 |
| 17 | C240-1 | Elbow | X | 4 |
| 18 | B330-21 | Palnut | X | 5 |
| 19 | D210-7 | Nut | X | 5 |
| 20 | NAS1149F0763P | Washer | X | 8 |
| 21 | C278-1 | Spacer | X | 4 |

NOTES * Earlier R44's.
 ** Optional; not shown.

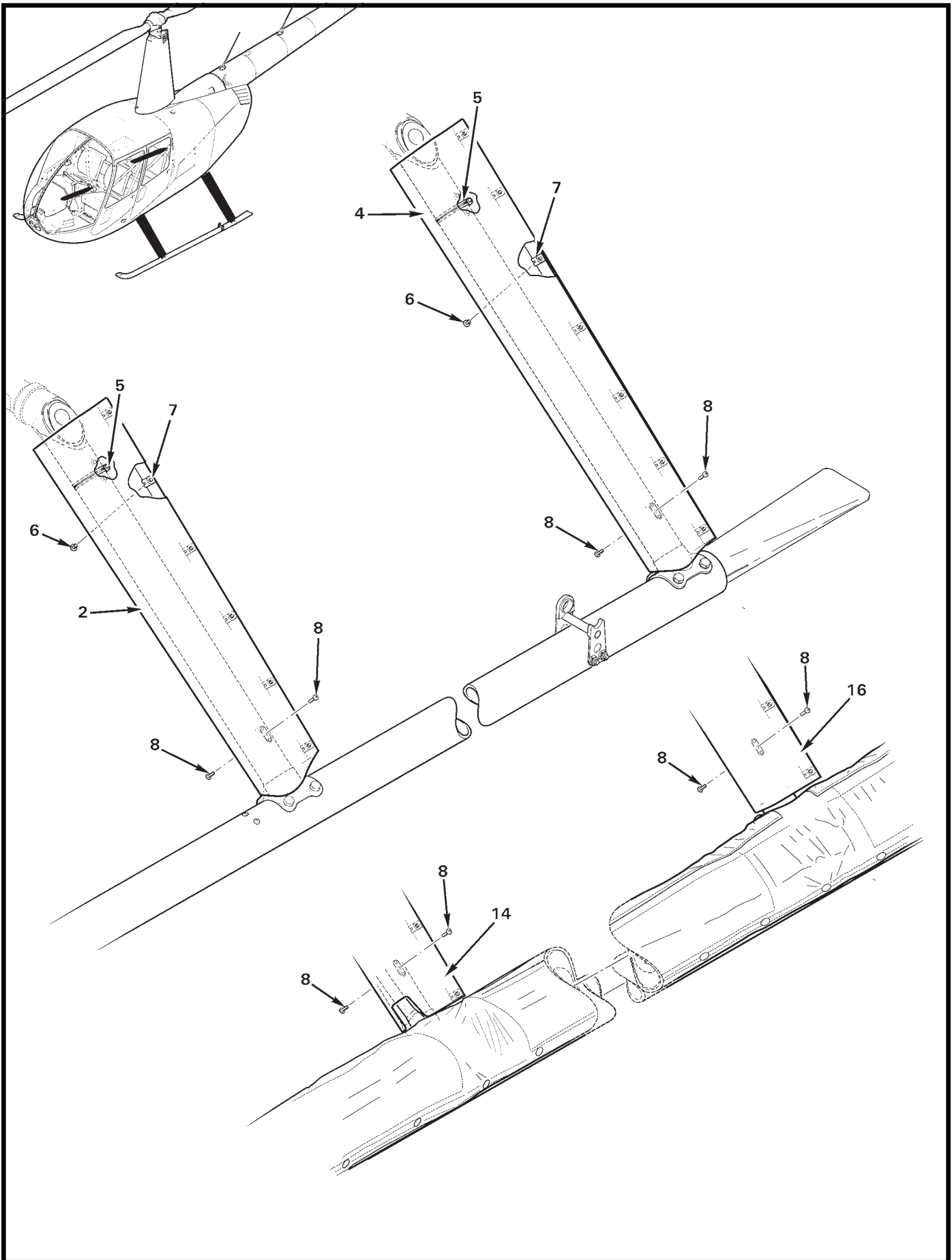
Continues

| FIGURE AND INDEX NUMBER | PART NUMBER | DESCRIPTION | PARTS AVAIL | QTY PER ASSY |
|--------------------------------|---------------|--|-------------|--------------|
| LANDING GEAR ASSEMBLY (Cont'd) | | | | |
| 32-5-22 | C141-4 | Washer | X | 8 |
| 23 | NAS6607-52 | Bolt (or NAS6607-54 [aft LH location; Rev. J and prior], if siren installed) | X | 5 |
| 24 | NAS6604-41 | Bolt (or NAS6604-43 [aft LH location; Rev. K and prior], if siren installed) | X | 4 |
| 25 | NAS1149F0432P | Washer | X | 12 |
| 26 | D210-4 | Nut | X | 8 |
| 27 | C247-2 | Rain Cap (install using item 3) | X | 4 |
| 28 | C241-2 | Cross Tube (Forward; no longer available. To replace order [1] C241-3 cross tube, and [2] C239-17 (standard) or [2] C239-10 (extended) strut assemblies and associated hardware. See Figure 32-1.) | O | 1 |
| 29 | NAS1149F0732P | Washer | X | 2 |
| 30 | C141-5 | Washer | X | 2 |
| 31 | A214-10 | Washer | X | 2 |
| 32 | C105-1 | Journal | X | 1 |
| 33 | LJS-1016 | Bearing | X | 2 |
| 34 | C276-1 | Shackle Assembly | X | 1 |
| 35 | C141-6 | Washer | X | 1 |
| 36 | C574-1 | Support Assembly | X | 2 |
| 37 | A936-2 | Wire Assembly | X | 1 |
| 38 | NAS6604-17 | Bolt | X | 4 |
| 39 | A141-11 | Washer | X | 8 |
| 40 | D310-6 | Bracket (RH) | X | 1 |
| 41 | C241-1 | Cross Tube (Aft; no longer available. To replace order [1] C241-3 cross tube, and [2] C239-12 (standard) or [2] C239-16 (extended) strut assemblies and associated hardware. See Figure 32-1.) | O | 1 |
| 42 | D310-5 | Bracket (LH) | X | 1 |
| 43 | A31007 | Nut (plastic) | X | 2 |
| 44 | S14119 | Screw (plastic) | X | 2 |
| 45 | 2740 | Hole Plug (DP-1250) | X | 1 |
| 46 | C015 | Cabin Assembly (Ref) | | |
| 47 | C239-10* | Strut Assembly – Aft (Extended gear; no longer available. To replace order [2] C239-16 strut assemblies, and [1] C241-3 cross tube and associated hardware. See Figure 32-1.) | O | 2 |
| 48 | A142-3 | Screw | X | 8 |

NOTES * Optional; not shown.

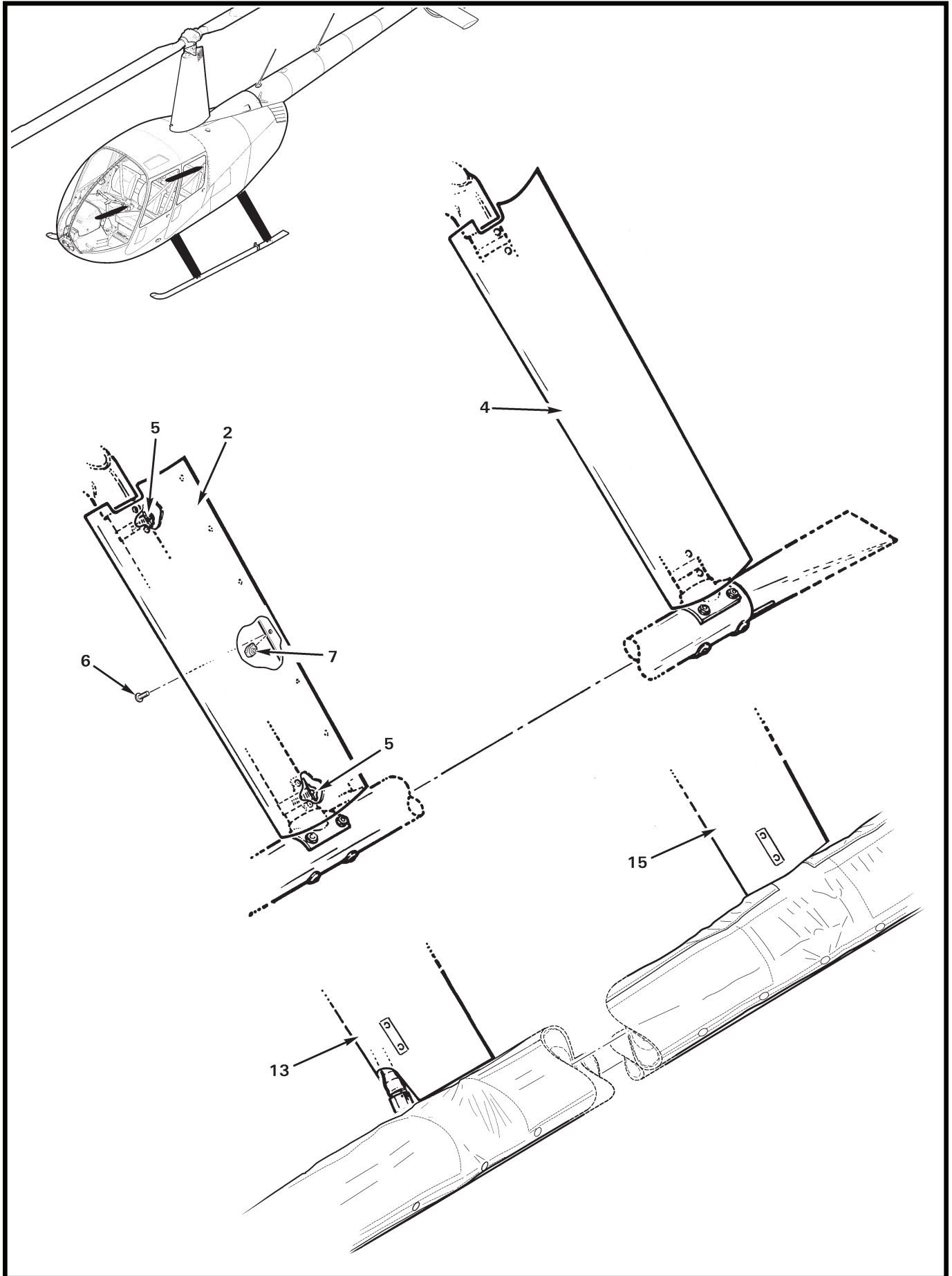
| FIGURE AND INDEX NUMBER | PART NUMBER | DESCRIPTION | PARTS AVAIL | QTY PER ASSY |
|---------------------------------------|-------------|---|-------------|--------------|
| LANDING GEAR ASSEMBLY (Cont'd) | | | | |
| 32-5-49 | NAS6604-46 | Bolt | X | 4 |
| 50 | C719-1 | Support Assembly (ground wheels) | X | 2 |
| 51 | C937-1 | Extension – Skid (LH) | X | 1 |
| 52 | C937-2 | Extension – Skid (RH, not shown) | X | 1 |
| 53 | C242-1 | Skid Tube (LH, Ref; no longer available) | | |
| | C242-2 | Skid Tube (RH, Ref; no longer available) | | |
| 54 | C246-1 | Liner Assembly (Ref; no longer available) | | |
| 55 | C014-10 | Strut Assembly – Forward (Standard gear; for spares. Includes items 3, 4, 17, 21, and 27). | X | 2 |
| 56 | C014-24* | Strut Assembly – Forward (Extended gear; for spares. Includes items 3, 16, 17, 21, and 27.) | X | 2 |
| 57 | C014-9 | Strut Assembly – Aft (Standard gear; for spares. Includes items 3, 5, 17, 21, and 27.) | X | 2 |
| 58 | C014-23* | Strut Assembly – Aft (Extended gear; for spares. Includes items 3, 17, 21, 27, and 47.) | X | 2 |

NOTES * Optional; not shown.



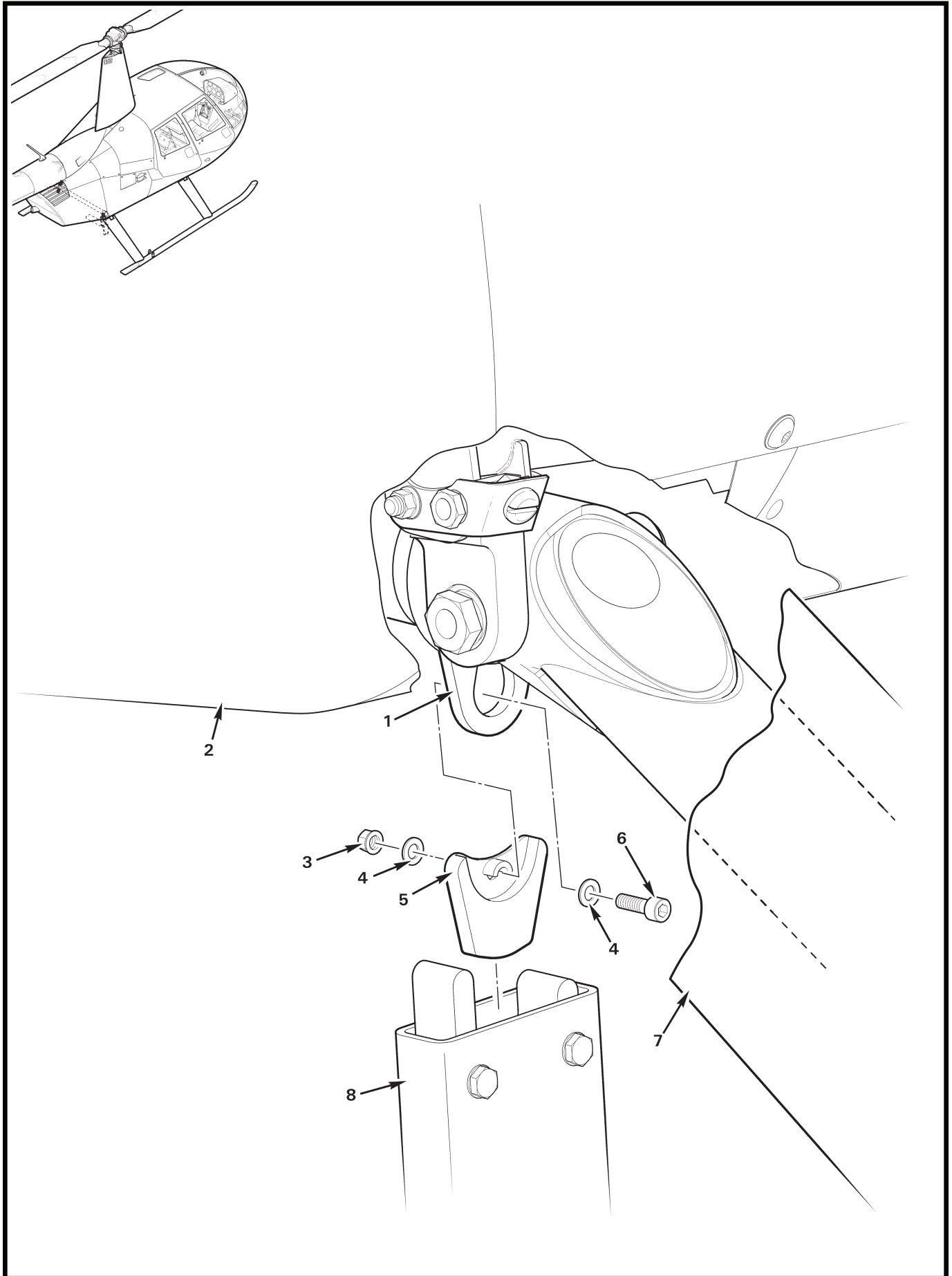
| FIGURE AND INDEX NUMBER | PART NUMBER | DESCRIPTION | PARTS AVAIL | QTY PER ASSY |
|------------------------------------|--------------|---|-------------|--------------|
| STRUT FAIRING INSTALLATION* | | | | |
| 32-9-1 | C082-62.CS** | Fairing Assembly – Forward (RH) | X | 1 |
| | C082-32.CS** | Fairing Assembly – Forward (RH) | X | 1 |
| 2 | C082-63.CS | Fairing Assembly – Forward (LH) | X | 1 |
| | C082-33.CS | Fairing Assembly – Forward (LH) | X | 1 |
| 3 | C082-64.CS** | Fairing Assembly – Aft (RH) | X | 1 |
| | C082-34.CS** | Fairing Assembly – Aft (RH) | X | 1 |
| 4 | C082-65.CS | Fairing Assembly – Aft (LH) | X | 1 |
| | C082-35.CS | Fairing Assembly – Aft (LH) | X | 1 |
| 5 | B227-28 | Clamp | X | 4 |
| 6 | B526-6* | Screw ([24] required with items 13 thru 16) | X | 26 |
| 7 | B162-3 | Clipnut ([24] required with items 13 thru 16) | X | 26 |
| 8 | MS27039C0810 | Screw | X | 8 |
| * * * | | | | |
| 9 | C082-72.CS** | Fairing Assembly – Forward (RH, extended gear) | X | 1 |
| | C082-42.CS** | Fairing Assembly – Forward (RH, extended gear) | X | 1 |
| 10 | C082-73.CS** | Fairing Assembly – Forward (LH, extended gear) | X | 1 |
| | C082-43.CS** | Fairing Assembly – Forward (LH, extended gear) | X | 1 |
| 11 | C082-74.CS** | Fairing Assembly – Aft (RH, extended gear) | X | 1 |
| | C082-44.CS** | Fairing Assembly – Aft (RH, extended gear) | X | 1 |
| 12 | C082-75.CS** | Fairing Assembly – Aft (LH, extended gear) | X | 1 |
| | C082-45.CS** | Fairing Assembly – Aft (LH, extended gear) | X | 1 |
| * * * | | | | |
| 13 | C082-82.CS** | Fairing Assembly – Forward (RH, pop-out float gear) | X | 1 |
| | C082-52.CS** | Fairing Assembly – Forward (RH, pop-out float gear) | X | 1 |
| 14 | C082-83.CS | Fairing Assembly – Forward (LH, pop-out float gear) | X | 1 |
| | C082-53.CS | Fairing Assembly – Forward (LH, pop-out float gear) | X | 1 |
| 15 | C082-84.CS** | Fairing Assembly – Aft (RH, pop-out float gear) | X | 1 |
| | C082-54.CS** | Fairing Assembly – Aft (RH, pop-out float gear) | X | 1 |
| 16 | C082-85.CS | Fairing Assembly – Aft (LH, pop-out float gear) | X | 1 |
| | C082-55.CS | Fairing Assembly – Aft (LH, pop-out float gear) | X | 1 |

NOTES * Revision "N" and subsequent fairing assemblies. Installed on C014-27 and -30 landing gear. See Figure 32-1. Will be shipped painted white. Additional charges for color matching.
 ** Not shown.



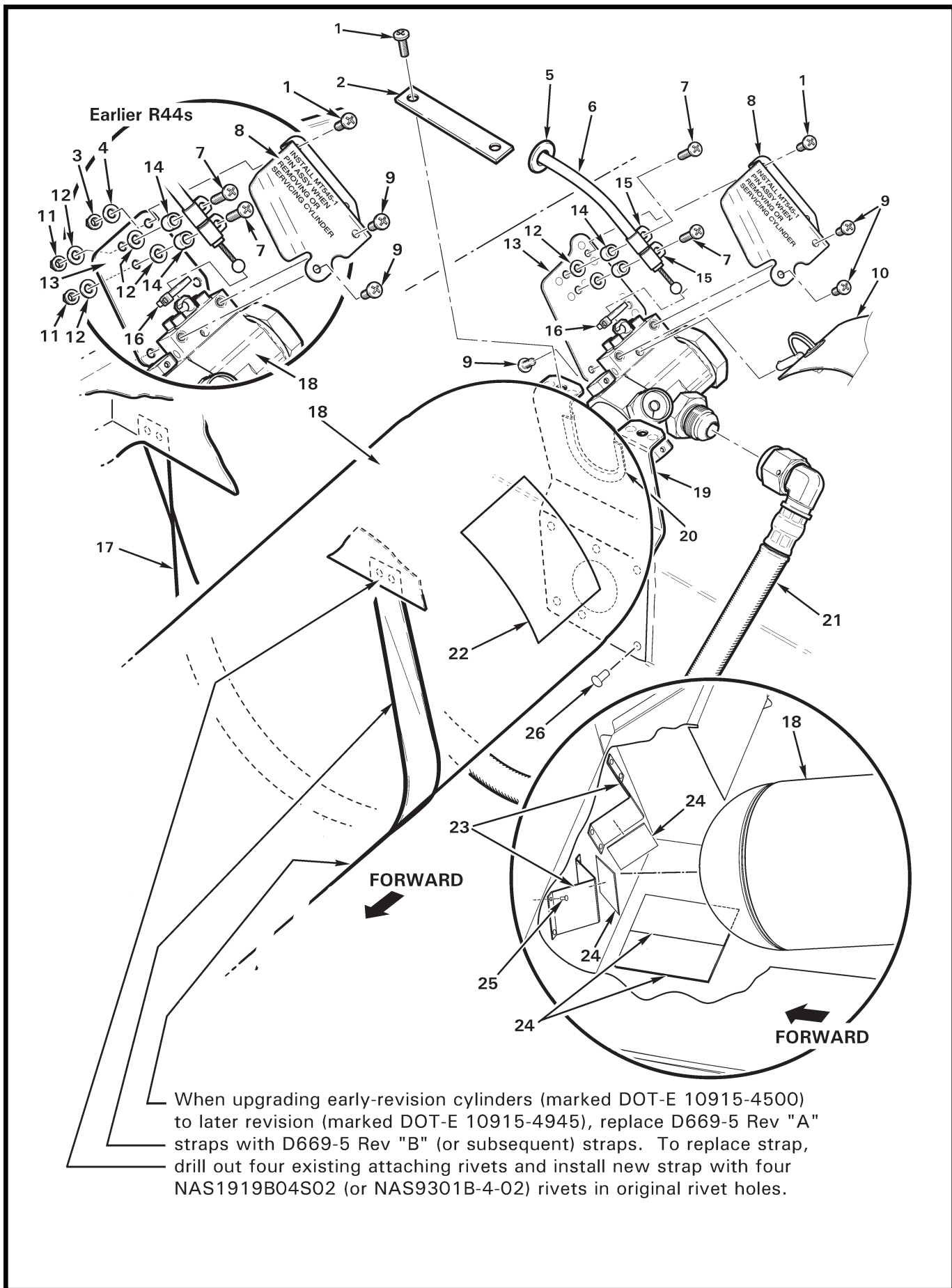
| FIGURE AND INDEX NUMBER | PART NUMBER | DESCRIPTION | PARTS AVAIL | QTY PER ASSY |
|------------------------------------|--------------|---|-------------|--------------|
| STRUT FAIRING INSTALLATION* | | | | |
| 32-11-1 | C082-2.CS** | Fairing Assembly – Forward (RH) | X | 1 |
| 2 | C082-3.CS | Fairing Assembly – Forward (LH) | X | 1 |
| 3 | C082-4.CS** | Fairing Assembly – Aft (RH) | X | 1 |
| 4 | C082-5.CS | Fairing Assembly – Aft (LH) | X | 1 |
| 5 | HTM-200 | Clamp | X | 8 |
| | B270-10 | Adhesive (for clamp threads) | X | A/R |
| 6 | MS27039C0805 | Screw (B526-6 screw optional) | X | 26 |
| 7 | B162-3 | Clipnut | X | 26 |
| * * * | | | | |
| 8 | C082-12.CS** | Fairing Assembly – Forward (RH, extended gear) | X | 1 |
| 9 | C082-13.CS** | Fairing Assembly – Forward (LH, extended gear) | X | 1 |
| 10 | C082-14.CS** | Fairing Assembly – Aft (RH, extended gear) | X | 1 |
| 11 | C082-15.CS** | Fairing Assembly – Aft (LH, extended gear) | X | 1 |
| * * * | | | | |
| 12 | C082-22.CS** | Fairing Assembly – Forward (RH, pop-out float gear) | X | 1 |
| 13 | C082-23.CS | Fairing Assembly – Forward (LH, pop-out float gear) | X | 1 |
| 14 | C082-24.CS** | Fairing Assembly – Aft (RH, pop-out float gear) | X | 1 |
| 15 | C082-25.CS | Fairing Assembly – Aft (LH, pop-out float gear) | X | 1 |

NOTES * Revision "M" and prior fairing assemblies. Installed on C014-8 and -22 landing gear. See Figure 32-5. Will be shipped painted white. Additional charge for color matching.
 ** Not shown.



| FIGURE AND INDEX NUMBER | PART NUMBER | DESCRIPTION | PARTS AVAIL | QTY PER ASSY | |
|--|-------------|--|---|--------------|---|
| LANDING GEAR LUG – EXTENSION INSTALLATION | | | | | |
| 32-11B-1 | C239-12 | Strut Assembly – Aft (standard gear; Ref, see Figure 32-1) | | | |
| | C239-16 | Strut Assembly – Aft (Extended gear. Ref, not shown; see Figure 32-1.) | | | |
| | 2 | D040-1 | Cowling Assembly – Aft (Ref, see Figure 53-5) | | |
| | 3 | D210-3 | Nut | X | 1 |
| | 4 | NAS620-10L | Washer | X | 2 |
| | 5 | F411-10 | Extension | X | 1 |
| | 6 | NAS1351-3-10P | Screw | X | 1 |
| | 7 | C082 | Fairing Assembly – Aft (RH, Ref; see Figure 32-9) | | |
| 8 | — | Tow Cart* (Ref) | | | |

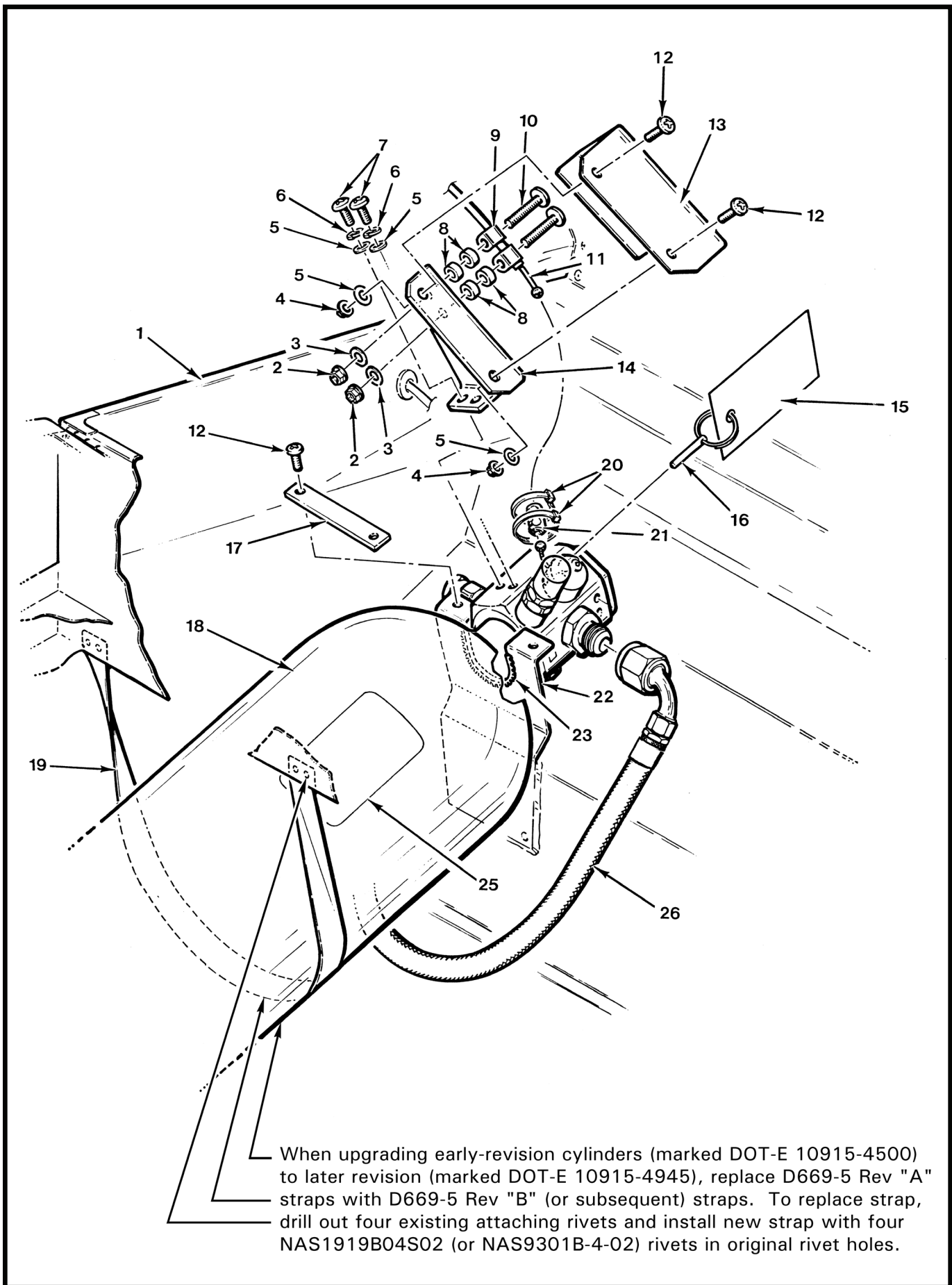
NOTES * Refer to MT950 Ground Handling Cart Operating Instructions, Maintenance Manual, and Illustrated Parts Catalog online at <https://robinsonheli.com>.



When upgrading early-revision cylinders (marked DOT-E 10915-4500) to later revision (marked DOT-E 10915-4945), replace D669-5 Rev "A" straps with D669-5 Rev "B" (or subsequent) straps. To replace strap, drill out four existing attaching rivets and install new strap with four NAS1919B04S02 (or NAS9301B-4-02) rivets in original rivet holes.

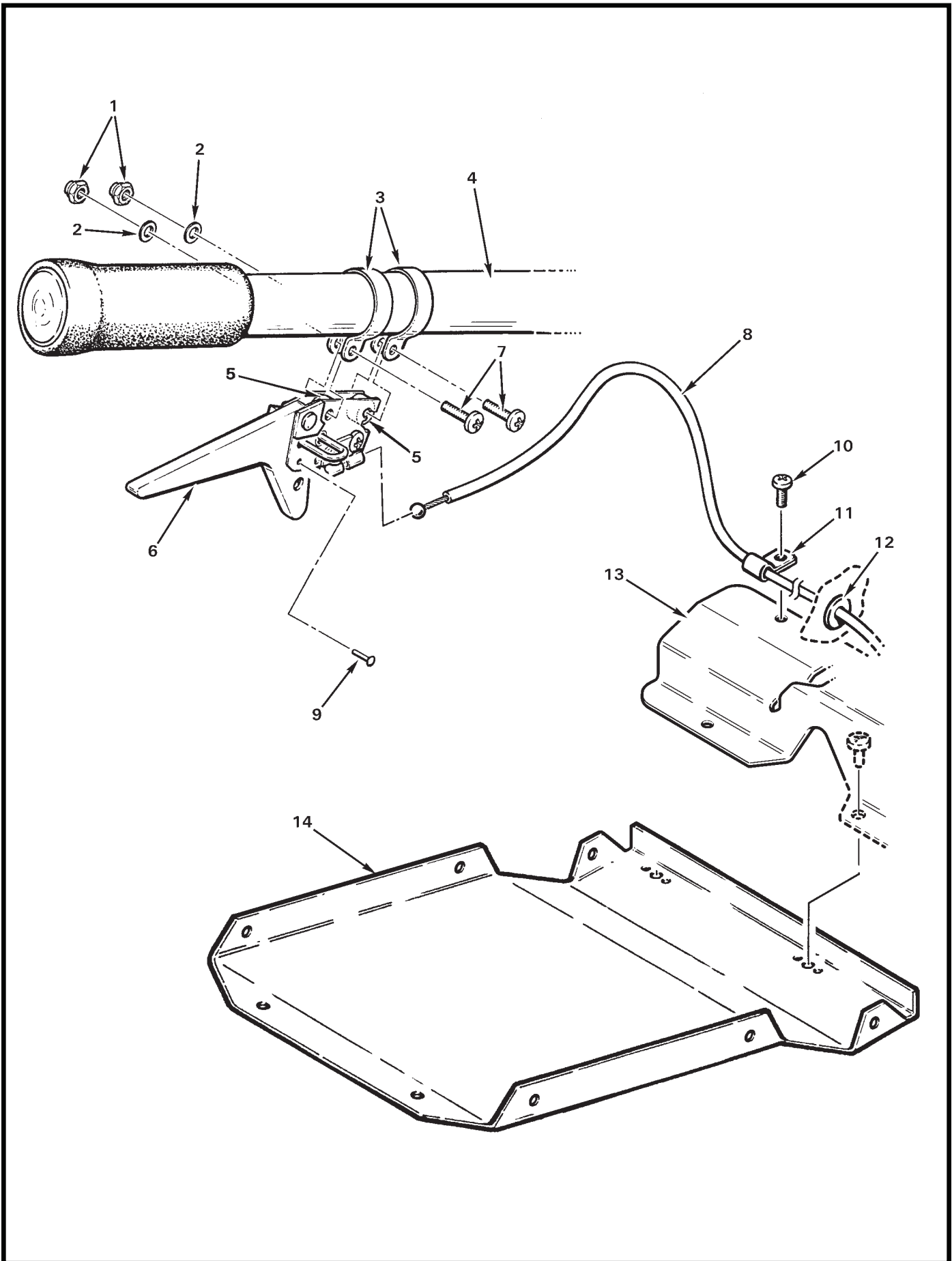
| FIGURE AND INDEX NUMBER | PART NUMBER | DESCRIPTION | PARTS AVAIL | QTY PER ASSY |
|--|---------------|---|-------------|--------------|
| POP-OUT FLOATS – CYLINDER ASSEMBLY INSTALLATION | | | | |
| 32-13-1 | MS27039C0806 | Screw | X | 4 |
| 2 | D669-3 | Strap | X | 1 |
| 3 | MS21042L08 | Nut | X | 2 |
| 4 | NAS1149FN816P | Washer | X | 2 |
| 5 | MS35489-6 | Grommet | X | 1 |
| 6 | D676-1 | Cable (Ref, see Figure 32-17) | | |
| 7 | MS27039C1-12 | Screw | X | 2 |
| 8 | D761-2 | Cover | X | 1 |
| 9 | MS27039C0805 | Screw | X | 4 |
| 10 | MT545-1 | Pin Assembly | X | 1 |
| 11 | MS21042L3 | Nut (for earlier R44s) | X | 2 |
| 12 | NAS1149F0332P | Washer ([4] required on earlier R44s when item 11 is installed) . . | X | 2 |
| 13 | D761-1 | Support Assembly (revision "C" and higher) | X | 1 |
| 14 | C130-26 | Spacer | X | 2 |
| 15 | AN735-3 | Clamp | X | 2 |
| 16 | MS3367-4-9 | Ty-Rap | X | 1 |
| 17 | D669-5 | Strap | X | 1 |
| 18 | D679-3* | Cylinder Assembly (filled) | X | 1 |
| | D679-3R* | D679-3 Cylinder Assembly (filled; overhaul exchange) | X | 1 |
| | D679-4* | Cylinder Assembly (empty) | X | 1 |
| | D679-4R* | D679-4 Cylinder Assembly (empty; overhaul exchange) | X | 1 |
| 19 | D669-1 | Cradle Assembly (Incl item 20) | X | 1 |
| 20 | A226-11 | Trim | X | A/R |
| 21 | D674-1 | Hose | X | 1 |
| 22 | D682-6 | Decal (cylinder pressure limits) | X | 1 |
| 23 | D669-4 | Brace | X | 2 |
| 24 | A701-5 | Tape | X | A/R |
| 25 | MS20470AD3 | Rivet | X | 8 |
| 26 | MS20470AD4 | Rivet | X | 6 |
| * * * | | | | |
| 27 | MT546-2** | Adapter Assembly – Filler (includes MS28778-2 packing) | X | 1 |
| 28 | MS28778-2** | Packing | X | 1 |
| 29 | KI-151** | Pop-Out Float Cylinder Bleed-Off Kit | X | 1 |
| 30 | KI-175 | Cylinder Replacement Installation Kit (Incl items 1, 3, 4, 7 thru 9, and 12 thru 16; not shown) | X | 1 |

NOTES * When replacing D679-1 Cylinder Assembly, also order KI-175 installation kit.
 ** Not shown; see Figure 99-13.



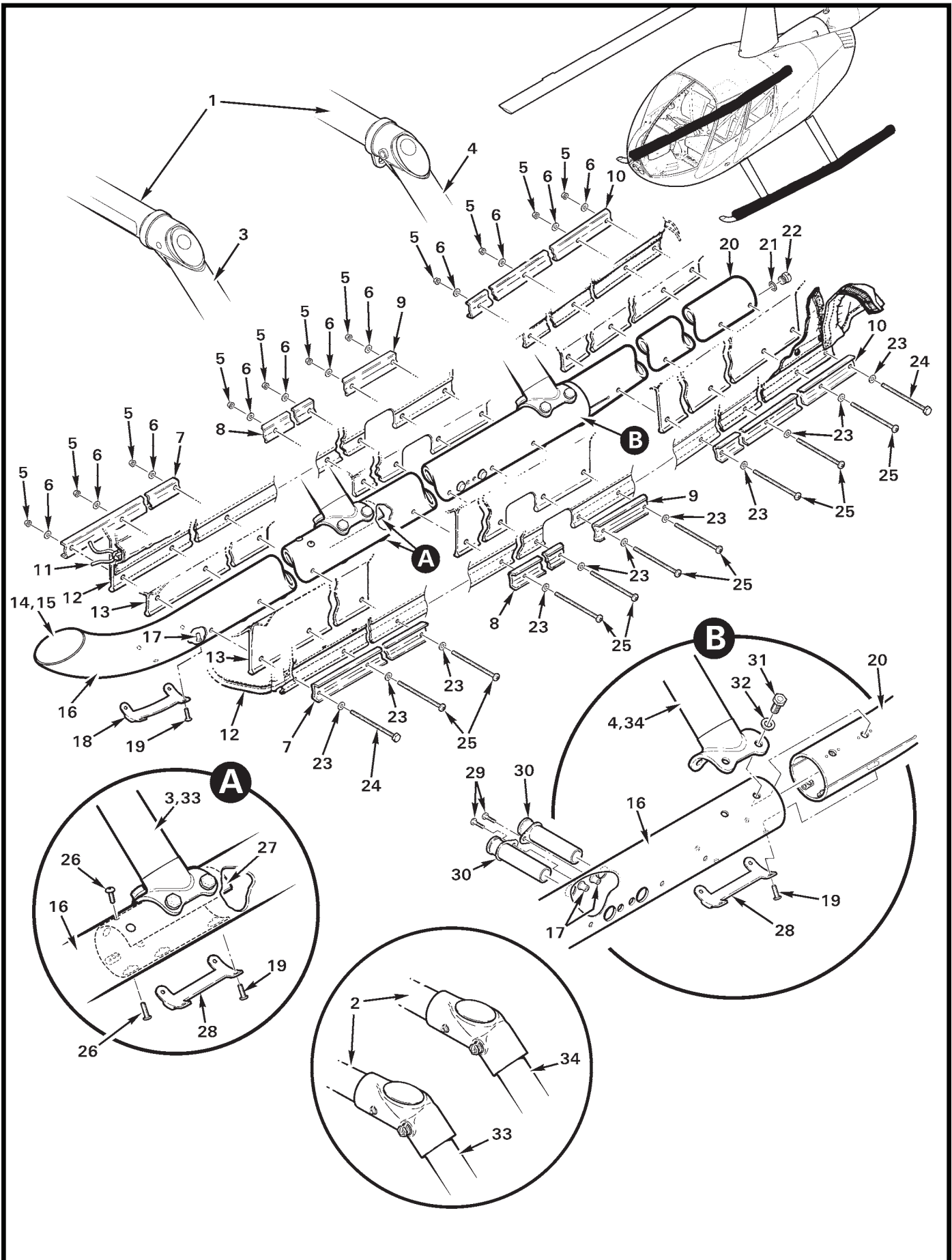
| FIGURE AND INDEX NUMBER | PART NUMBER | DESCRIPTION | PARTS AVAIL | QTY PER ASSY |
|-------------------------|---------------|---|-------------|--------------|
| | | POP-OUT FLOATS – CYLINDER ASSEMBLY INSTALLATION | | |
| 32-15-1 | — | Seat Frame – Pilot (Ref) | | |
| 2 | MS21042L3 | Nut | X | 2 |
| 3 | NAS1149F0332P | Washer | X | 2 |
| 4 | MS21042L08 | Nut | X | 2 |
| 5 | NAS1149FN832P | Washer | X | 4 |
| 6 | B332-42 | Lockwasher | X | 2 |
| 7 | MS27039C0805 | Screw | X | 2 |
| 8 | A130-20 | Spacer | X | 4 |
| 9 | AN735-3 | Clamp | X | 2 |
| 10 | MS27039C1-11 | Screw | X | 2 |
| 11 | D676-1 | Cable (Ref, see Figure 32-17) | X | 1 |
| 12 | MS27039C0806 | Screw | X | 2 |
| 13 | D675-9* | Cover (Ref) | | |
| 14 | D675-10* | Support (Ref) | | |
| 15 | — | Placard | O | 1 |
| 16 | — | Locking Pin | O | 1 |
| 17 | D669-3 | Strap | X | 1 |
| 18 | D679-1* | Cylinder Assembly (Ref; to replace refer to Figure 32-13) | | |
| 19 | D669-5 | Strap (Ref) | | |
| 20 | MS3367-4-9 | Ty-Rap | X | 2 |
| 21 | B125-2 | Connector | X | 1 |
| 22 | D669-1 | Cradle Assembly (Ref) | | |
| 23 | MS21266-1N | Grommet (install using item 24) | X | A/R |
| 24 | B270-8qt | Adhesive | X | A/R |
| 25 | D682-1 | Decal (cylinder pressure limits) | X | 1 |
| 26 | D674-1 | Hose | X | 1 |

NOTES * No longer available. To replace order KI-175 installation kit. See Figure 32-13.



| FIGURE AND INDEX NUMBER | PART NUMBER | DESCRIPTION | PARTS AVAIL | QTY PER ASSY |
|--|----------------|---|-------------|--------------|
| POP-OUT FLOATS – LEVER ASSEMBLY | | | | |
| 32-17-1 | B340-8 | Nut | X | 2 |
| 2 | NAS620-10L | Washer | X | 2 |
| 3 | D675-4 | Clamp | X | 2 |
| 4 | C758-1 | Collective Stick Assembly – Pilot (RH, Ref; see Figure 67-21 for complete assembly) | | |
| 5 | A130-21 | Spacer (between plates as shown) | X | 2 |
| 6 | D680-1 | Lever Assembly (Incl items 1 thru 3, 5, and 7) | X | 1 |
| 7 | MS27039C1-09 | Screw | X | 2 |
| 8 | D676-1 | Cable | X | 1 |
| 9 | MS20470A2-6.5S | Rivet (shear) | X | 1 |
| 10 | MS27039C0806 | Screw (Ref) | | |
| 11 | AN742-3 | Clamp | X | 1 |
| 12 | MS35489-6 | Grommet | X | 1 |
| 13 | C445-3 | Cover (Ref, see Figure 6-5) | | |
| 14 | D672-1 | Cover | X | 1 |

NOTES



| FIGURE AND INDEX NUMBER | PART NUMBER | DESCRIPTION | PARTS AVAIL | QTY PER ASSY |
|--|-----------------|--|-------------|--------------|
| POP-OUT FLOATS – TUBE ASSEMBLIES INSTALLATION | | | | |
| 32-19-1 | C014-28 | Landing Gear Assembly – Pop-Out Floats (Incl items 3, 4, 14, thru 20, and 26 thru 32) | X | 1 |
| 2 | C014-22* | Landing Gear Assembly – Pop-Out Floats (Incl items 14 thru 20, and 26 thru 34) | O | 1 |
| 3 | C239-17 | Strut Assembly – Forward (Ref) | | |
| 4 | C239-16 | Strut Assembly – Aft (Ref) | | |
| 5 | MS21042L3 | Nut (install using item 15) | X | 62 |
| 6 | NAS1149F0332P | Washer (or NAS1149F0363P) | X | 62 |
| 7 | C944-1 | Strip | X | 4 |
| 8 | C944-4 | Strip | X | 4 |
| 9 | C944-5 | Strip | X | 4 |
| 10 | C944-3 | Strip | X | 4 |
| 11 | M11029 | Cord | X | 1 |
| 12 | C950-25 | Cover (LH; ACC Float. Includes item 11.) | X | 1 |
| | C950-25.CS | Cover (LH; ACC, SMR Float [spares]. Includes item 11.) | X | 1 |
| | C950-26 | Cover (RH, ACC Float. Includes item 11.) | X | 1 |
| | C950-26.CS | Cover (RH; ACC, SMR Float [spares]. Includes item 11.) | X | 1 |
| 13 | C950-19 or -23 | Float Assembly – LH (Ref, see Figure 32-23) | | |
| | C950-20 or -24 | Float Assembly – RH (Ref, see Figure 32-23; not shown) | | |
| 14 | C247-1 | Rain Cap (install using item 15) | X | 1 |
| 15 | B270-1* | Sealant (2-oz tube) | X | A/R |
| 16 | C014-25 | Skid Tube Assembly (LH; includes items 14, 15, 17 thru 19, and 26 thru 30; does not include item 20) | X | 1 |
| | C014-26 | Skid Tube Assembly (RH; includes items 14, 15, 17 thru 19, and 26 thru 30; does not include item 20) | X | 1 |
| 17 | NAS1330H3K116L | Rivnut | X | 14 |
| 18 | A667-8 | Skid Shoe (curved) | X | 1 |
| 19 | A142-1 | Screw | X | 20 |
| 20 | C945-1 | Skid Extension (LH) | X | 1 |
| | C945-2 | Skid Extension (RH, not shown) | X | 1 |
| 21 | A215-013 | O-Ring | X | 1 |
| 22 | B202-1 | Drain Plug Assembly (Incl item 24) | X | 1 |
| 23 | NAS1149F0332P** | Washer (or NAS1149F0363P) | X | A/R |
| 24 | AN3-32A | Bolt (or MS27039DD1-47 or -51 as required to expose 2 to 4 threads; install using item 15) | X | 4 |

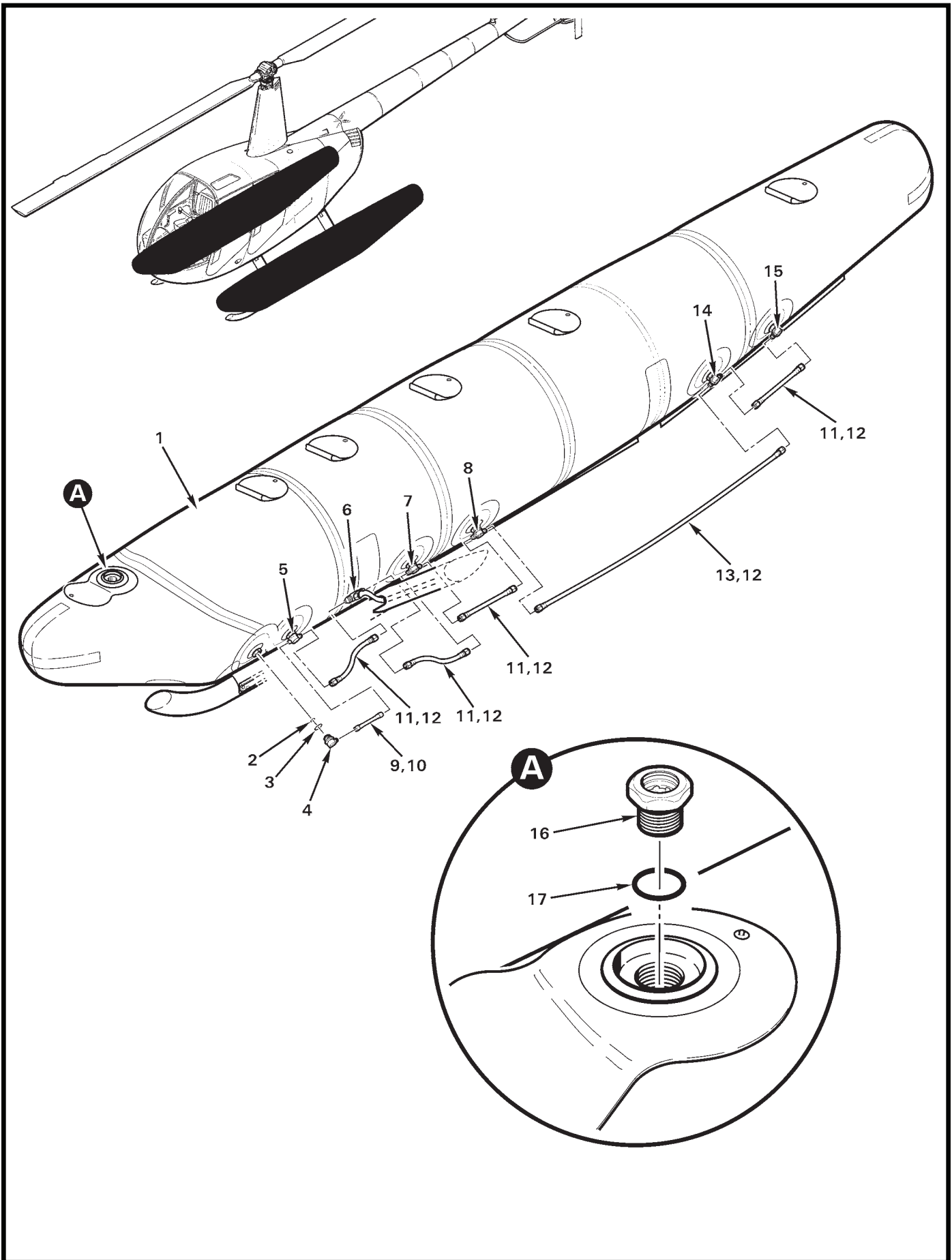
NOTES * See also Figure 32-5.
 ** See R44 Maintenance Manual §5.620 for location and usage.

Continues

| FIGURE AND INDEX NUMBER | PART NUMBER | DESCRIPTION | PARTS AVAIL | QTY PER ASSY |
|---|---------------|--|-------------|--------------|
| POP-OUT FLOATS – TUBE ASSEMBLIES INSTALLATION (Cont'd) | | | | |
| 32-19-25 | MS27039DD1-51 | Screw (or MS27039DD1-47 or AN3-32A Bolt [not shown] as required to expose 2 to 4 threads; install using item 15) | X | 58 |
| 26 | A142-3 | Screw | X | 4 |
| 27 | C246-5 | Liner Assembly (left skid) | X | 1 |
| | C246-6 | Liner Assembly (right skid) | X | 1 |
| 28 | A667-7 | Skid Shoe (straight) | X | 4 |
| 29 | MS27039C1-09 | Screw | X | 2 |
| 30 | D724-1 | Sleeve Weldment (2 per skid) | X | 4 |
| 31 | NAS6604-4 | Bolt | X | 16 |
| 32 | NAS1149F0663P | Washer | X | 16 |
| 33 | C239-11** | Strut Assembly – Forward (LH and RH) | X | 2 |
| 34 | C239-10** | Strut Assembly – Aft (LH and RH) | X | 2 |

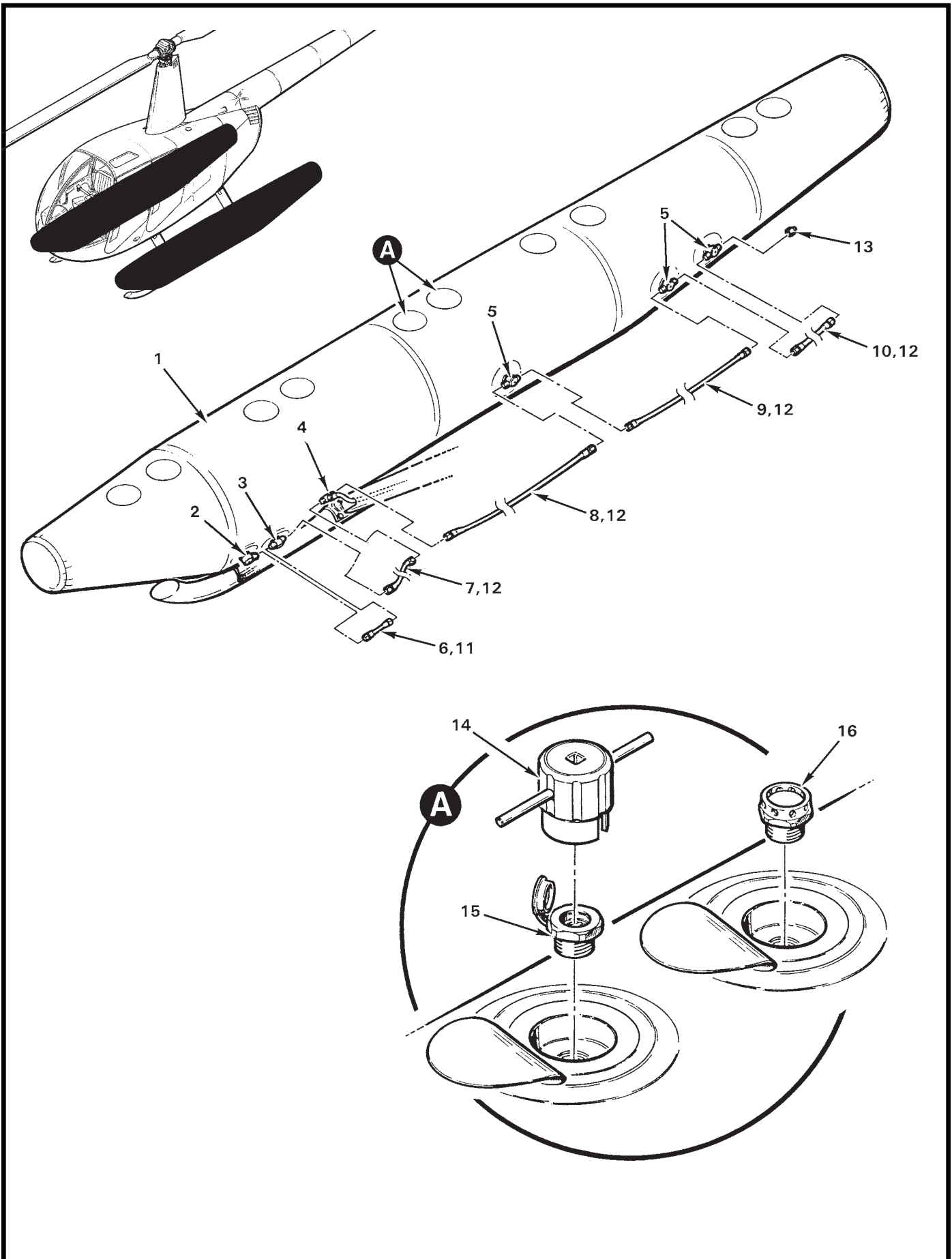
NOTES * Install using item 15.
 ** For earlier R44s see also Figure 32-5.

Intentionally Blank



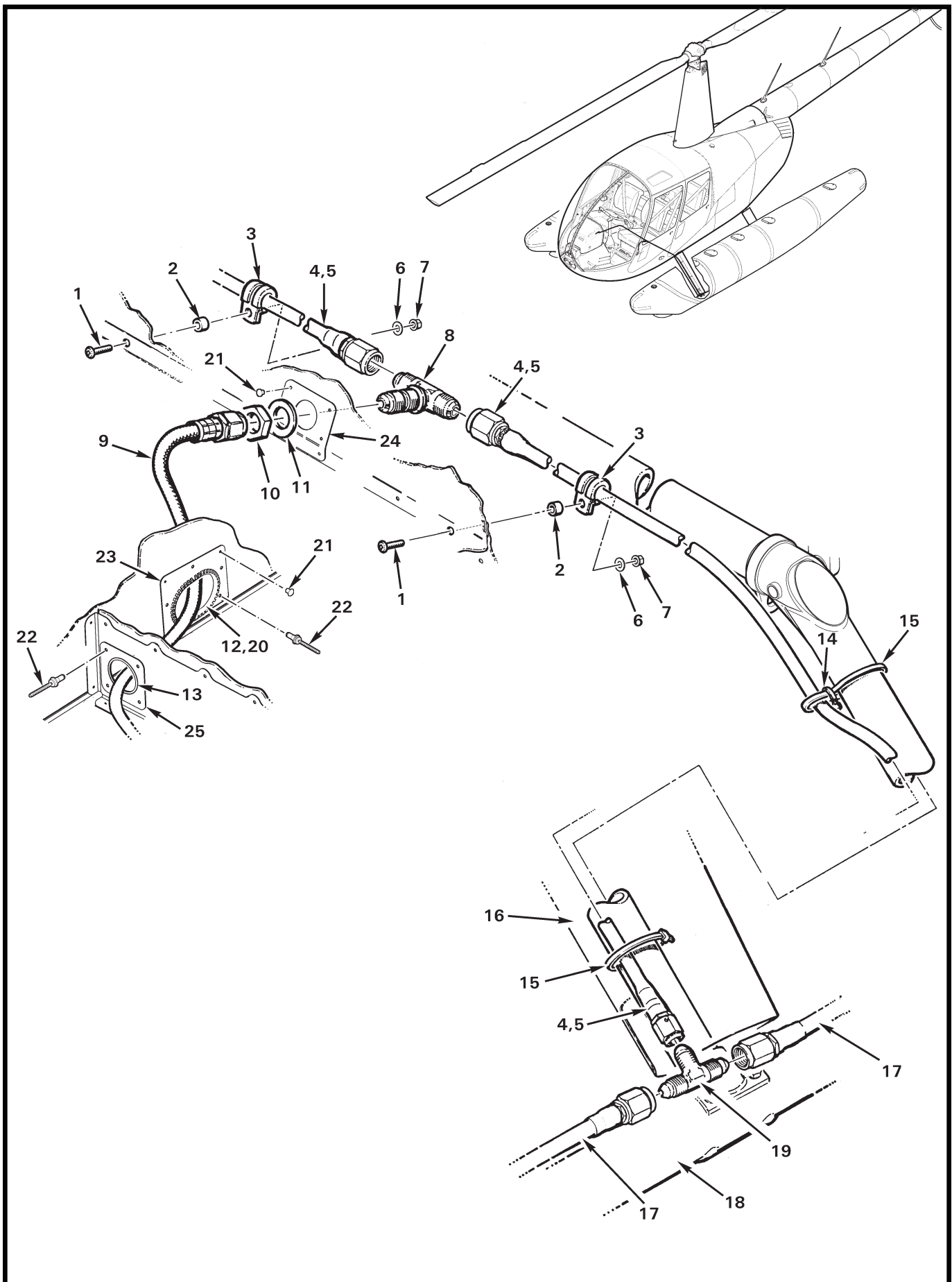
| FIGURE AND INDEX NUMBER | PART NUMBER | DESCRIPTION | PARTS AVAIL | QTY PER ASSY |
|-------------------------|-------------|--|-------------|--------------|
| | | POP-OUT FLOATS – TUBE ASSEMBLY COMPONENTS* | | |
| 32-23-1 | C950-24 | Float Tube Assembly – RH (Six-chamber; includes items 16; Air Cruisers, [Mfg]) | X | 1 |
| | C950-20 | Float Tube Assembly – RH (Six-chamber; includes items 16; SMR Technologies, Inc. [Mfg]; not shown) | X | 1 |
| | C950-23 | Float Tube Assembly – LH (Six-chamber; includes items 16; Air Cruisers, [Mfg.]; not shown) | X | 1 |
| | C950-19 | Float Tube Assembly – LH (Six-chamber, includes items 16; SMR Technologies, Inc. [Mfg]; not shown) | X | 1 |
| 2 | A215-110 | O-Ring | X | 1 |
| 3 | A215-212 | O-Ring | X | 1 |
| 4 | D770-1 | Valve Assembly (Incl items 2 and 3) | X | 1 |
| 5 | D770-2 | Valve Assembly (Incl items 2 and 3) | X | 1 |
| 6 | AN824-8D | Tee (Ref, see Figure 32-21) | | |
| 7 | D770-3 | Valve Assembly (Incl items 2 and 3) | X | 1 |
| 8 | D770-4 | Valve Assembly (Incl items 2 and 3) | X | 1 |
| 9 | D674-7 | Hose Assembly (Incl item 10) | X | 1 |
| 10 | B158-12 | Heat Shrink | X | A/R |
| 11 | D674-6 | Hose Assembly (Incl item 12) | X | 1 |
| 12 | B158-16 | Heat Shrink | X | A/R |
| 13 | D674-2 | Hose Assembly (Incl item 12) | X | 1 |
| 14 | D770-5 | Valve Assembly (Incl items 2 and 3) | X | 1 |
| 15 | D770-6 | Valve Assembly (Incl items 2 and 3) | X | 1 |
| 16 | A-53001 | Valve – Pressure Topping and Relief (Incl item 17) | X | 6 |
| 17 | A215-212 | O-Ring | X | 1 |
| 18 | KI-83-3** | Pop-Out Float Repair Kit (SMR floats) | X | 1 |
| 19 | KI-83-4** | Pop-Out Float Repair Kit (ACC floats) | X | 1 |

NOTES * Six-chamber floats.
 ** Not shown.



| FIGURE AND INDEX NUMBER | PART NUMBER | DESCRIPTION | PARTS AVAIL | QTY PER ASSY | |
|---|-------------|--|--|--------------|-----|
| POP-OUT FLOATS – TUBE ASSEMBLY COMPONENTS* | | | | | |
| 32-25-1 | C950-2 | Float Tube Assembly – RH (Incl items 2, 3, 5, 13, 15, and 16) . . | O | 1 | |
| | C950-1 | Float Tube Assembly – LH (Incl items 2, 3, 5, 13, 15, and 16; not shown) | O | 1 | |
| | 2 | 20525** | Inlet Check Valve (Ref) | O | 1 |
| | 3 | 20325** | Inlet Check Valve (Ref) | O | 1 |
| | 4 | AN824-8D | Tee | X | 2 |
| | 5 | 20246** | Inlet Check Valve (Ref) | O | 3 |
| | 6 | D674-7 | Hose Assembly – LH and RH (Incl item 11) | X | 1 |
| | 7 | D674-6 | Hose Assembly – LH and RH (Incl item 12) | X | 2 |
| | 8 | D674-5 | Hose Assembly – LH and RH (Incl item 12) | X | 2 |
| | 9 | D674-4 | Hose Assembly – LH and RH (Incl item 12) | X | 2 |
| | 10 | D674-3 | Hose Assembly – LH and RH (Incl item 12) | X | 2 |
| | 11 | B158-12 | Heat Shrink (black, 0.75 in. dia.) | X | A/R |
| | 12 | B158-16 | Heat Shrink (black, 1.00 in. dia.) | X | A/R |
| | 13 | AN929-8 | Cap | X | 1 |
| | 14 | B-51025** | Wrench | O | 1 |
| | 15 | B-51209** | Valve – Top-Off | O | 5 |
| | 16 | B-51019-4** | Valve – Pressure Relief | O | 5 |
| 17 | KI-83-4 | Pop-Out Float Repair Kit | X | 1 | |

NOTES * Five-chamber floats.
 ** Apical Industries, Inc. part no.



| FIGURE AND INDEX NUMBER | PART NUMBER | DESCRIPTION | PARTS AVAIL | QTY PER ASSY |
|---|---------------|--|-------------|--------------|
| POP-OUT FLOATS – HOSES INSTALLATION* | | | | |
| 32-27-1 | MS27039C1-12 | Screw | X | 2 |
| 2 | C130-26 | Spacer | X | 2 |
| 3 | MS21919WDG10 | Clamp | X | 2 |
| 4 | D674-2 | Hose Assembly (Incl item 5) | X | 2 |
| 5 | B158-16 | Heat Shrink (black, 1.00 in. dia.) | X | A/R |
| 6 | NAS1149F0332P | Washer | X | 2 |
| 7 | MS21042L3 | Nut | X | 2 |
| 8 | AN834-8D | Tee | X | 1 |
| 9 | D674-1 | Hose (from cylinder assembly; see also Figure 32-13) | X | 1 |
| 10 | AN924-8D | Nut | X | 1 |
| 11 | NAS1149F1290P | Washer | X | 1 |
| 12 | MS21266-1N | Grommet (install using item 20) | X | A/R |
| 13 | MS35489-20 | Grommet | X | 1 |
| 14 | MS3367-5-9 | Ty-Rap (or MS3367-7-9; used as a spacer at this location, LH and RH) | X | 2 |
| 15 | MS3367-7-9 | Ty-Rap | X | A/R |
| 16 | C082-53 | Fairing Assembly (Ref, forward LH; see Figure 32-9) | | |
| 17 | D674-6 | Line Assembly (see also Figure 32-23) | X | 1 |
| 18 | C014-25 | Skid Tube Assembly – (LH, Ref) | | |
| 19 | AN824-8D | Tee (LH and RH) | X | 2 |
| 20 | B270-8qt | Adhesive | X | A/R |
| 21 | MS20470AD3 | Rivet | X | 9 |
| 22 | NAS1919B04S01 | Rivet | X | 8 |
| 23 | D673-1 | Doubler | X | 1 |
| 24 | D673-4 | Doubler | X | 1 |
| 25 | D673-2 | Doubler | X | 1 |

NOTES * C014-28 landing gear shown. C014-17 landing gear hose installation is identical.

| FIGURE AND INDEX NUMBER | PART NUMBER | DESCRIPTION | PARTS AVAIL | QTY PER ASSY |
|--|-----------------|--|-------------|--------------|
| FIXED FLOATS – TUBE ASSEMBLIES INSTALLATION | | | | |
| 32-29-1 | B900-7R | Float Tube Assembly* – RH (C949-4, includes items 32 thru 35; painted) | X | 1 |
| 2 | B900-7L | Float Tube Assembly* – LH (C949-3, includes items 32 thru 35; painted) | X | 1 |
| 3 | C241-4* | Cross Tube – Forward (Ref) | | |
| 4 | F411-9 | Cap – Forward (Ref) | | |
| 5 | B270-1 | Sealant (2-oz tube) | X | A/R |
| 6 | C239-15 | Strut Assembly – Forward (Ref) | | |
| 7 | C241-3 | Cross Tube – Aft (Ref) | | |
| 8 | C247-3 | Cap – Aft (Ref) | | |
| 9 | C239-14 | Strut Assembly – Aft (Ref) | X | 1 |
| 10 | MS21042L3** | Nut | X | 31 |
| 11 | NAS1149F0332P | Washer (or NAS1149F0363P) | X | 31 |
| 12 | C944-1 | Strip (LH and RH) | X | 2 |
| 13 | C944-2 | Strip (LH and RH) | X | 2 |
| 14 | C944-3 | Strip (LH and RH) | X | 2 |
| 15 | NAS1149F0332P | Washer (or NAS1149F0363P) | X | A/R |
| 16 | AN3-32A | Bolt (or MS27039DD1-47 or 51 screw) | X | 2 |
| 17 | MS27039DD1-51** | Bolt (or MS27039DD1-47, or AN3-32A bolt; forward and middle girts) | X | 20 |
| 18 | MS27039DD1-47** | Bolt (or MS27039DD1-47, or AN3-32A bolt; aft girts) | X | 11 |
| 19 | C247-1 | Rain Cap (install using item 5) | X | 1 |
| 20 | C014-15 | Skid Tube Assembly LH (Incl items 5, 19, and 21 thru 26) | X | 1 |
| | C014-16 | Skid Tube Assembly (RH, Incl items 5, 19, and 21 thru 26) | X | 1 |
| 21 | NAS1330H3K116L | Rivnut | X | 12 |
| 22 | A667-8 | Skid Shoe (curved) | X | 1 |
| 23 | A142-1 | Screw | X | 20 |
| 24 | A142-3 | Screw | X | 4 |
| 25 | C246-5 | Liner Assembly (left skid) | X | 1 |
| | C246-6 | Liner Assembly (right skid, not shown) | X | 1 |
| 26 | A667-7 | Skid Shoe (straight) | X | 4 |
| 27 | C945-1 | Skid Extension (LH) | X | 1 |
| | C945-2 | Skid Extension (RH, not shown) | X | 1 |
| 28 | A215-013 | O-Ring | X | 1 |
| 29 | B202-1 | Drain Plug Assembly (Incl item 28) | X | 1 |
| 30 | NAS6606-4 | Bolt (install using item 5) | X | 8 |

NOTES * See Figure 99-25 for shipping crate.

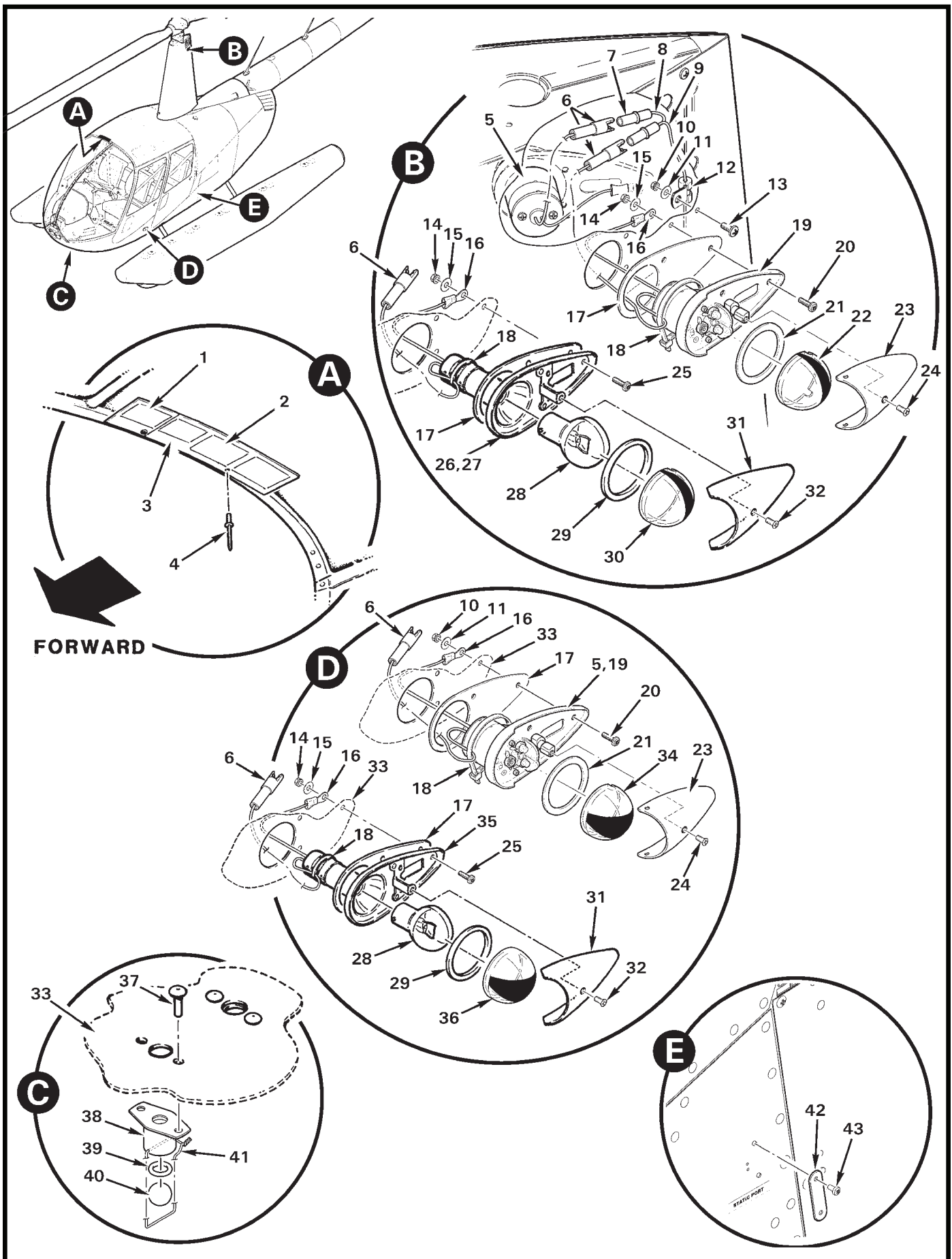
** Install using item 5.

Continues

| FIGURE AND INDEX NUMBER | PART NUMBER | DESCRIPTION | PARTS AVAIL | QTY PER ASSY |
|---|---------------|--|-------------|--------------|
| FIXED FLOATS – TUBE ASSEMBLIES INSTALLATION (Cont'd) | | | | |
| 32-29-31 | NAS1149F0663P | Washer | X | 8 |
| 32 | 4RA1190-2 | Hand Pump Fitting (Incl item 33) | X | 6 |
| 33 | — | Screw | X | 6 |
| 34 | 3MA1009-4 | Pressure Relief Valve | X | 6 |
| 35 | M11029 | Lacing (parachute cord) | O | 2 |
| 36 | C014-18A | Landing Gear Assembly with Floats (Incl items 1, 2, 5, 10 thru 18, 29, and 38) | X | 1 |
| 37 | B900-7 | Float Assembly Set – Utility (Incl items 1 and 2) | X | 1 |
| 38 | C014-29* | Landing Gear Assembly – Utility Floats (Ref; includes items 3, 5 thru 7, 9, 19 thru 27, 30, and 31. See also Figure 32-1.) | X | 1 |
| 39 | MT340-1 | Float Gauge and Fill Gun Kit (not shown) | X | 1 |
| 40 | KI-83-1 | Float Repair Kit (not shown) | X | 1 |
| * * * | | | | |
| 41 | C241-1** | Cross Tube – Aft (Ref) | | |
| 42 | C247-2** | Rain Cap (install using item 5) | X | 4 |
| 43 | C240-1** | Elbow (Ref) | | |
| 44 | C014-20** | Strut Assembly – Aft (includes elbow and rain cap) | X | 1 |
| 45 | C241-2** | Cross Tube – Forward (Ref) | | |
| 46 | C014-21 | Strut Assembly – Forward (includes elbow and rain cap) | X | 1 |

NOTES * See Figure 99-25 for shipping crate.
 ** For earlier R44s with C014-19 landing gear assembly installed. See Figure 32-5.

Intentionally Blank



| FIGURE AND INDEX NUMBER | PART NUMBER | DESCRIPTION | PARTS AVAIL | QTY PER ASSY |
|-------------------------|----------------|---|-------------|--------------|
| | | FIXED FLOATS – COMPONENTS | | |
| 32-33-1 | PAI-DE-CARD | Compass Deviation Placard (Ref, for use with vertical card compass. See also Figure 95-23.) | | |
| 2 | C654-25 | Decal – Flight Limitations (ship S/N 0001 thru 9999, utility floats) | X | 1 |
| | D682-15 | Decal – Flight Limitations (ship S/N 10001 and higher, utility floats) | X | 1 |
| 3 | A725-4 | Mount | X | 1 |
| 4 | B204-1 | Rivet (blind; Avdel part no. 1693-0410) | X | 2 |
| 5 | A039-22 | Aux Position Light Assembly – RH (Green LED, 14V; includes items 6, 16, and 21 thru 24) | X | 1 |
| | A039-20 | Aux Position Light Assembly – RH (Green LED, 28V; includes items 6, 16, and 21 thru 24) | X | 1 |
| 6 | B263-10 | Housing (one to each light assembly, one at base of mast fairing) | X | 3 |
| | B263-1 | Pin | X | 3 |
| 7 | B263-11 | Housing (one at each light assembly, one at base of mast fairing) | X | 3 |
| | B263-2 | Socket | X | 3 |
| 8 | -485 | Wire (Ref; jumper) | | |
| 9 | -486 | Wire (Ref) | | |
| 10 | MS21042L08 | Nut | X | 5 |
| 11 | NAS1149FN816P | Washer | X | 5 |
| 12 | MS21919WDG2 | Clamp (secures wire to mast fairing) | X | 5 |
| 13 | MS27039C0806 | Screw | X | 5 |
| 14 | MS21042L06 | Nut | X | 3 |
| 15 | NAS1149FN616P | Washer | X | 3 |
| 16 | B260-2 | Terminal | X | 1 |
| 17 | A779-1 | Gasket | X | 1 |
| 18 | MS3367-4-9 | Ty-Rap | X | A/R |
| 19 | A039-21 | Aux Position Light Assembly – LH (Red LED, 14V; includes items 6, 16, and 21 thru 24) | X | 1 |
| | A039-19 | Aux Position Light Assembly – LH (Red LED, 28V; includes items 6, 16, and 21 thru 24) | X | 1 |
| 20 | MS35206-230 | Screw | X | 3 |
| 21 | 38-0230021-00* | Gasket | O | 1 |
| 22 | D369-7 | Lens (clear/shaded) | X | 2 |
| 23 | 19-150002-010* | Retainer | O | 1 |

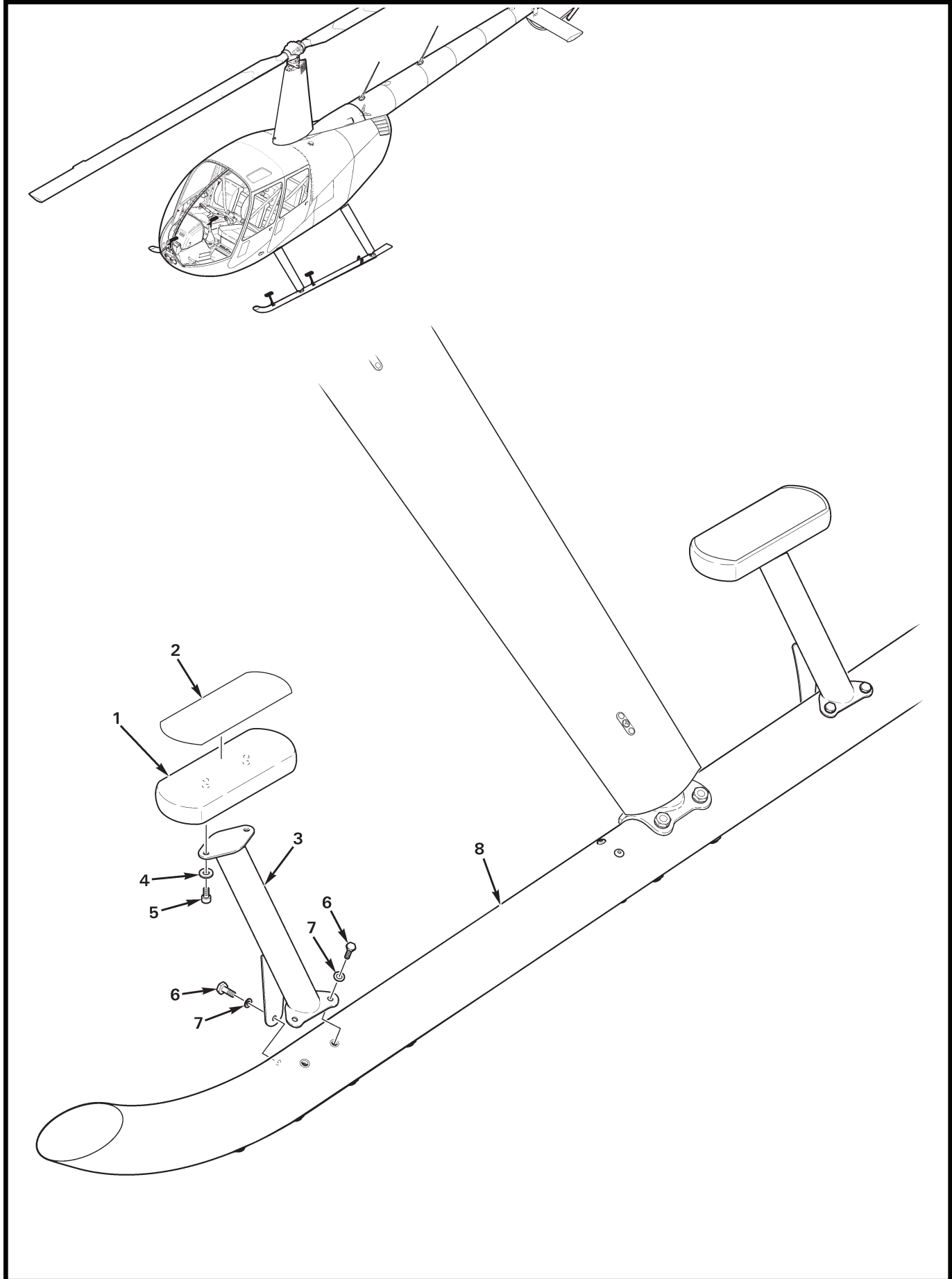
NOTES * Whelen part no.

Continues

| FIGURE AND INDEX NUMBER | PART NUMBER | DESCRIPTION | PARTS AVAIL | QTY PER ASSY |
|------------------------------------|---------------|---|-------------|--------------|
| FIXED FLOATS – COMPONENTS (Cont'd) | | | | |
| 32-33-24 | 14-0050508-27 | Screw | O | 1 |
| 25 | MS24693-S27 | Screw | X | 3 |
| 26 | A039-13 | Aux Position Light Assembly – LH (red lens, incandescent, no longer available; to replace order items 19 and 22) | X | 1 |
| 27 | A039-12 | Aux Position Light Assembly – RH (green lens, incandescent, no longer available; to replace order items 5 and 22) | X | 1 |
| 28 | W1290-14* | Lamp (14-volt) | X | 1 |
| | W1290-28* | Lamp (28-volt) | X | 1 |
| 29 | A455* | Gasket | X | 1 |
| 30 | D369-3 | Lens – LH (red/shaded) | X | 1 |
| | D369-4 | Lens – RH (green/shaded, not shown) | X | 1 |
| 31 | W1282* | Lens Retainer | X | 1 |
| 32 | — | Screw | O | 1 |
| 33 | C272-1 | Chin (Ref) | | |
| 34 | D369-5 | Lens – LH (clear/shaded) | X | 1 |
| | D369-6 | Lens – RH (clear/shaded; not shown) | X | 1 |
| 35 | A039-4 | Position Light Assembly – LH (Ref, no longer available. To replace order items 19 and 22.) | | |
| | A039-5 | Position Light Assembly – RH (Ref, no longer available. To replace order items 5 and 22.) | | |
| 36 | D369-1 | Lens – LH (red/shaded) | X | 1 |
| | D369-2 | Lens – RH (green/shaded, not shown) | X | 1 |
| 37 | MS20470AD3 | Rivet | X | 4 |
| 38 | D371-4 | Drain Valve Assembly (includes items 39 thru 41; install using item 44) | X | 2 |
| 39 | A215-010 | O-Ring | X | 1 |
| 40 | B208-10 | Ball | X | 1 |
| 41 | MS20995C32 | 0.032 in. dia. Safety Wire | X | A/R |
| 42 | D372-2 | Air Dam | X | 2 |
| 43 | MS35206-213 | Screw | X | 4 |
| 44 | B270-1 | Sealant | X | A/R |

NOTES * Whelen part no.

Intentionally Blank



| FIGURE AND INDEX NUMBER | PART NUMBER | DESCRIPTION | PARTS AVAIL | QTY PER ASSY |
|--|---------------|---|-------------|--------------|
| SKID STEP INSTALLATION (SMALL)* | | | | |
| 32-37-1 | F781-1 | Step Assembly (Incl item 2; RH and LH, FWD and AFT) | X | 4 |
| 2 | A751-8 | Strip | X | 1 |
| 3 | F780-2 | Support Weldment (RH and LH, FWD and AFT) | X | 1 |
| 4 | NAS1149F0363P | Washer | X | 2 |
| 5 | NAS1351-3-8P | Screw | X | 2 |
| 6 | NAS6603-3 | Bolt | X | 3 |
| 7 | NAS1149F0332P | Washer | X | 3 |
| 8 | C242-7 | Skid Tube Assembly (LH) | O | 1 |
| | C242-9** | Skid Tube Assembly (LH, includes C242-7 and is painted) . . | X | 1 |
| | C242-8 | Skid Tube Assembly (RH) | O | 1 |
| | C242-10** | Skid Tube Assembly (RH, includes C242-8 and is painted) . . | X | 1 |

NOTES * Optional equipment; cannot be installed with floats. Flight with one or more step assemblies and mounting hardware removed is permissible; quantities shown are for one step assembly.
 ** Revision O and subsequent Skid Tube Assemblies include provisions for Skid Step installation.

| FIGURE AND INDEX NUMBER | PART NUMBER | DESCRIPTION | PARTS AVAIL | QTY PER ASSY |
|---------------------------------------|-----------------------------------|---|-------------|--------------|
| SKID STEP INSTALLATION (LONG)* | | | | |
| 32-39-1 | F782-5 | Step Assembly – LH (Incl items 2, 3, and 8 thru 19; install with sliders in FWD location) | X | 1 |
| | F782-6 | Step Assembly – RH (Incl items 2, 3, and 8 thru 19; install with sliders in FWD location; not shown.) | X | 1 |
| | 2 F782-4 | Step Assembly (LH or RH; includes items 4 thru 7) | X | 1 |
| | 3 A751-10 | Strip (self-adhesive) | X | 2 |
| | 4 MS24694-S49 | Screw | X | 4 |
| | 5 F783-4 | Cap | X | 2 |
| | 6 NAS1149F0332P | Washer | X | 4 |
| | 7 D210-3 | Nut | X | 4 |
| | 8 MS24694-S52 | Screw | X | 5 |
| | 9 A130-20 | Spacer | X | 6 |
| | 10 F783-6 | Slider, plastic | X | 1 |
| | 11 F783-3 | Slider, metal | X | 1 |
| | 12 NAS1149F0332P | Washer | X | 3 |
| | 13 D210-3 | Nut | X | 8 |
| | 14 F783-5 | Pad | X | 1 |
| | 15 A130-21 | Spacer | X | 3 |
| | 16 MS24694-S49 | Screw | X | 1 |
| | 17 NAS1149F0363P | Washer | X | 1 |
| | 18 MS24694-S53 | Screw | X | 2 |
| | 19 F780-3 | Support Weldment (LH or RH) | X | 2 |
| | 20 NAS6603-3 | Bolt | X | 6 |
| | 21 NAS1149F0332P | Washer | X | 6 |
| 22 C242-7 | Skid Tube Assembly (LH) | O | 1 | |
| | C242-9** | Skid Tube Assembly (LH, includes C242-7 and is painted) . . | X | 1 |
| | C242-8 | Skid Tube Assembly (RH) | O | 1 |
| | C242-10** | Skid Tube Assembly (RH, includes C242-8 and is painted) . . | X | 1 |

NOTES * Optional equipment; cannot be installed with floats. Flight with one or more step assemblies and mounting hardware removed is permissible; quantities shown are for one step assembly.
 ** Revision O and subsequent Skid Tube Assemblies include provisions for Skid Step installation.

Intentionally Blank